

---

## Mechanical Cable Lug-MCL



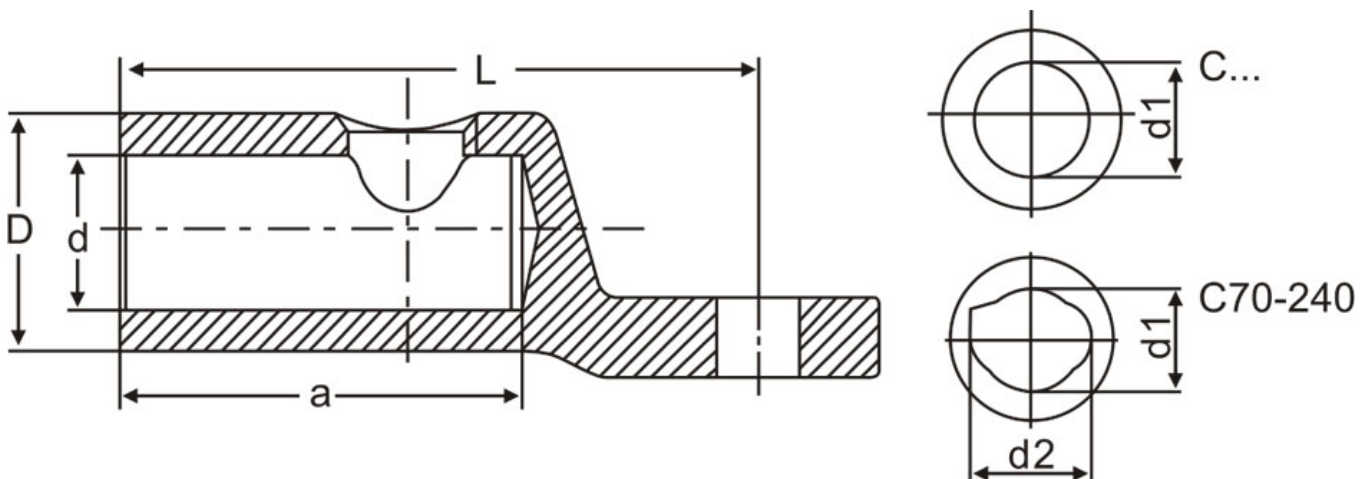
### Mechanical Shear Bolt Lugs

Powerlink Mechanical Shear Bolt Lugs it doesn't need hydraulic tool but a spanner to finish installation. The special eccentric design for round conductors ensures enough anti-wrench strength and conductivity. The bolts and nuts are specially designed to install on large range of conductor. The barrel capped is filled with joint compound to avoid oxidization.

The lugs test in accordance with IEC61238-1.

### Products Advantage

1. High strength aluminum alloy, high strength
2. The surface is tinned, and the new sanding treatment is more beautiful.
3. The clamping range is accurate, the application range is wide, and the product meets international standards.
4. Provide quality and quantity guarantee



Part No.	Al in mm <sup>2</sup>			Cu in mm <sup>2</sup>		Number of bolts	Dimensions mm				Palm hole mm
	round stranded	round solid	sector stranded	round stranded	sector stranded		L	d	D	a	
MCL16-95×12 MCL16-95×16	25-95	25-95	25-70	25-95	25-70	1	60	12.5	24	32	13
MCL50-150×12 MCL50-150×16	35-150	35-150	35-150	35-150	35-150	1	86	15.5	30	35	13 17
MCL95-240×12 MCL95-240×16	95-240	95-240	95-185	95-240	95-185	2	112	20	33	56	13 17
MCL120-300×12 MCL120-300×16	120-300	120-300	120-240	120-300	120-240	2	115	25	38	67	13 17
MCL185-400×12 MCL185-400×16	185-400	185-400	185-300	185-400	185-300	2	137	29	42	78	13 17

Product link : <https://www.baolinpower.com/mechanical-cable-lug-mcl.html>