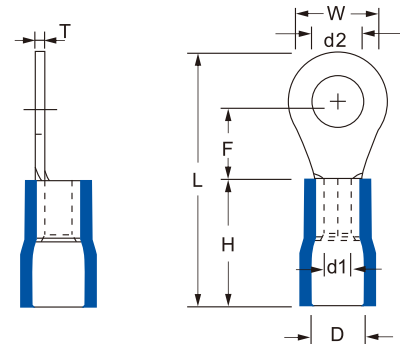




INSULATED- RING TERMINALS

Product Features

Maximum electrical rating: 600 volts
 Maximum temperature: 75
 Terminals material : copper
 Plating: Tin plated
 Insulation material: vinyl (PVC)



Product Parameters

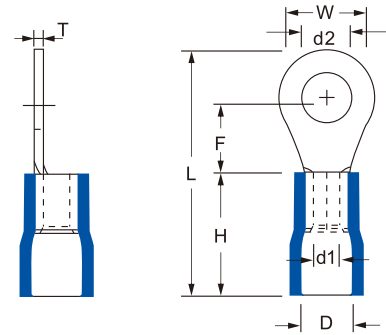
Item No.	Stud Size		Dimension Mm								Pcs/ Pack	Color	Explanation	
	Metric	American	D2	W	F	L	H	d1	D	T				
RV1.25- 3.2	3	#4	3.2											
RV1.25- 3.5S	3.5	#6	3.7	5.7	4.95	17.8								
RV1.25- 3.5M	3.5	#6	3.7	6.6	6.3	19.6								
RV1.25- 3.5L	3.5	#6	3.7	8.0	7.0	21.0								
RV1.25- 4S	4	#8	4.3	6.6	6.3	19.6								
RV1.25- 4L	4	#8	4.3	8.0	7.0	21.0	10.0	1.7	4.2	0.7	1000	Red	Wire range:0.5- 1.5mm ² A.W.G.:(22- 16) Max.current:I _{max} =19A	
RV1.25- 5	5	#10	5.3											
RV1.25- 5L	5	#10	5.3	9.5	7.5	22.3								
RV1.25- 6	6	1/4"	6.5	11.6	11.2	27.0								
RV1.25- 8	8	5/16"	8.5											
RV1.25- 10	10	3/8"	10.5	13.6	13.9	30.7								
RV1.25- 12	12	1/2"	13.0	19.2	16.0	35.6					500			
RV2- 3.2	3	#4	3.2	6.6	6.4	19.7								
RV2- 3.5	3.5	#6	3.7											
RV2- 3.5M	3.5	#6	3.7	6.6	7.9	21.2								
RV2- 3.5L	3.5	#6	3.7	8.5	7.75	22.0								
RV2- 4S	4	#8	4.3	6.6	7.9	21.2								
RV2- 4L	4	#8	4.3	8.5	7.75	22.0	10.0	2.3	4.7	0.8	1000	Blue	Wire range:1.5- 2.5mm ² A.W.G.:(16- 14) Max.current:I _{max} =27A	
RV2- 5S	5	#10	5.3											
RV2- 5L	5	#10	5.3	9.5	7.5	22.3								
RV2- 6	6	1/4"	6.5	12.0	11.0	27.0								
RV2- 8	8	5/16"	8.5	12.0	11.0	27.0								
RV2- 10	10	3/8"	10.5	13.6	13.9	30.7								
RV2- 12	12	1/2"	13.0	19.2	16.0	35.6					500			
RV3.5- 4	4	#8	4.3	8.0	7.7	24.7								
RV3.5- 5S	5	#10	5.3				13.0	2.9	6.2	1.0	500	Black	Wire range:2.5- 4mm ² A.W.G.:(14- 12) Max.current:I _{max} =37A	
RV3.5- 6	6	1/4"	6.5	12.0	9.4	28.4								
RV3.5- 8	8	5/16"	8.5	15.0	13.5	34.0								



INSULATED- RING TERMINALS

Product Features

- Maximum electrical rating: 600 volts
- Maximum temperature: 75
- Terminals material : copper
- Plating: Tin plated
- Insulation material: vinyl (PVC)



Product Parameters

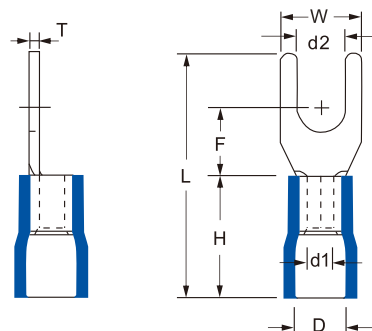
Item No.	Stud Size		Dimension Mm								Pcs/ Pack	Color	Explanation
	Metric	American	D2	W	F	L	H	d1	D	T			
RV5.5- 3.5	3.5	#6	3.7	7.2	5.9	22.5	13.0	3.4	6.5	1.0	500	Yellow	Wire range:4- 6mm ² A.W.G.:(12- 10) Max.current:I _{max} =48A
RV5.5- 4S	4	#8	4.3										
RV5.5- 4L	4	#8	4.3										
RV5.5- 5	5	#10	5.3	9.5	8.85	26.6							
RV5.5- 6	6	1/4"	6.5	12.0	10.5	29.5							
RV5.5- 8	8	5/16"	8.5	15.0	13.5	34.0							
RV5.5- 10	10	3/8"	10.5	19.2	16.0	38.6							
RV5.5- 12	12	1/2"	13.0										
RV8- 4S	4.0	#8	4.3				8	9.3	29.3	16.0	4.5	8.0	1.2
RV8- 5S	5.0	#10	5.3	8.8	9.3	29.7							
RV8- 5M	5.0	#10	5.3	12.0	9.3	31.3							
RV8- 5L	5.0	#10	5.3	15.0	13.8	37.3							
RV8- 6S	6.0	1/4"	6.5	12.0	9.3	31.3							
RV8- 8	8	5/16"	8.5	15.0	11.1	37.3							
RV8- 10	10	3/8"	10.5	20.0	15.0	41.0							
RV8- 12	12	1/2"	13.0										
RV14- 4	4	#8	4.3				21.5	5.4	11.0	1.4	50	Blue	Wire range:10- 16mm ² A.W.G.:(6) Max.current I _{max} =88A
RV14- 5	5	#10	5.3	12.0	13.3	40.8							
RV14- 6S	6	1/4"	6.5	16.0	14.5	43.5							
RV14- 8	8	5/16"	8.5	22.0	19.5	52.0							
RV14- 10	10	3/8"	10.5										
RV22- 5S	5	#10	5.3	12.2	15.1	44.7	23.5	7.7	13.0	1.6	50	Yellow	Wire range:16- 25mm ² A.W.G.:(4) Max.current:I _{max} =115A
RV22- 6S	6	1/4"	6.5	12.2	15.1	44.7							
RV22- 8	8	5/16"	8.5	16.5	13.5	45.2							
RV22- 10	10	3/8"	10.5	22.0	19.5	54.0							
RV22- 12	12	1/2"	13.0										
RV38- 5	5	#10	5.3				27.0	9.4	14.5	1.7	20	Red	Wire range: 35mm ² A.W.G.:(2) Max.current:I _{max} =160A
RV38- 6	6	1/4"	6.5										
RV38- 8S	8	5/16"	8.5	15.3	17.4	52.0							
RV38- 10S	10	3/8"	10.5	15.3	17.4	52.0							
RV38- 12	12	1/2"	13.0	22.0	17.7	55.7							



INSULATED SPADE TERMINALS

Product Features

- Maximum electrical rating: 600 volts
- Maximum temperature: 75
- Terminals material : copper
- Plating: Tin plated
- Insulation material: vinyl (PVC)



Product Parameters

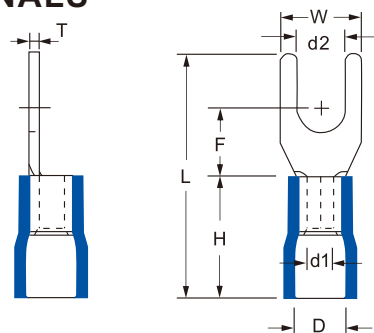
Item No.	Stud Size		Dimension Mm								Pcs/ Pack	Color	Explanation		
	Metric	American	D2	W	F	L	H	d1	D	T					
SV1.25- 3.2	3	#4	3.2	5.7	6.5	21.2	10.0	1.7	4.2	0.7	1000	Red	Wire range:0.5- 1.5mm ² A.W.G.: (22- 16) Max.current:Imax=19A		
SV1.25- 3.5S	3.5	#6	3.7												
SV1.25- 3.5L	3.5	#6	3.7	6.4											
SV1.25- 4S	4	#8	4.3	6.4											
SV1.25- 4M	4	#8	4.3	7.2											
SV1.25- 4L	4	#8	4.3	8.1											
SV1.25- 5S	5	#10	5.3	9.5											
SV1.25- 5L	5	#10	5.3												
SV1.25- 6S	6	1/4"	6.5	12.0										11.0	27.2
SV1.25- 6L	6	1/4"	6.5												
SV1.25- 8	8	5/16"	8.5		13.5	11.5	26.7								
SV2- 3.2	3	#4	3.2	5.7	6.5	21.2	10.0	2.3	4.7	0.8	1000	Blue	Wire range:1.5- 2.5mm ² A.W.G.: (16- 14) Max.current:Imax=27A		
SV2- 3.5S	3.5	#6	3.7												
SV2- 3.5L	3.5	#6	3.7	6.0											
SV2- 4S	4	#8	4.3	6.4											
SV2- 4M	4	#8	4.3	7.2											
SV2- 4L	4	#8	4.3	8.1											
SV2- 5S	5	#10	5.3	9.5											
SV2- 5L	5	#10	5.3												
SV2- 6S	6	1/4"	6.5	12.0										11.0	27.2
SV2- 6L	6	1/4"	6.5												
SV2- 8	8	5/16"	8.5		13.5	11.5	27.0								
SV3.5- 3.5	3.5	#6	3.7	8.0	7.7	25.3	13.0	2.9	6.2	1.00	1000	Black	Wire range:2.5- 4mm ² A.W.G.: (14- 12) Max.current:Imax=37A		
SV3.5- 4	4.0	#8	4.3												
SV3.5- 5	5.0	#10	5.3												
SV3.5- 6	6.0	1/4"	8.4	12.0	9.1	28.5									
SV3.5- 8	8	5/16"	8.5	14.0	11.5	30.7									



INSULATED SPADE TERMINALS

Product Features

- Maximum electrical rating: 600 volts
- Maximum temperature: 75
- Terminals material : copper
- Plating: Tin plated
- Insulation material: vinyl (PVC)



Product Parameters

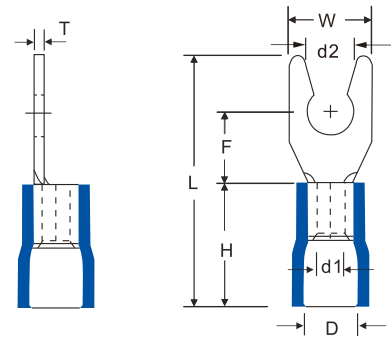
Item No.	Stud Size		Dimension Mm								Pcs/ Pack	Color	Explanation	
	Metric	American	D2	W	F	L	H	d1	D	T				
SV5.5- 3.5	3.5	#6	3.7	8.3	7.0	25.5								
SV5.5- 4S	4	#8	4.3	8.3										
SV5.5- 4L	4	#8	4.3		7.0	25.5								
SV5.5- 5	5	#10	5.3	9.0			13.0	3.4	6.5	1.0	500	Yellow	Wire range: 4- 6mm ² A.W.G.: (12- 10) Max.current: I _{max} = 48A	
SV5.5- 6S	6	1/4"	6.5											
SV5.5- 6L	6	1/4"	6.5	12.0	12.0	31.7								
SV5.5- 8	8	5/16"	8.5	14.0	11.5	30.7								
SV8- 4	4	#8	4.3	9.0	7.6	28.3								
SV8- 5	5	#10	5.3	9.0	8.1									
SV8- 6	6	1/4"	6.5	12.0	9.2	31.3	16.0	4.5	8.0	1.2	100	Red	Wire range: 6- 10mm ² A.W.G.: (8) Max.current: I _{max} = 62A	
SV8- 8	8	5/16"	8.5	13.8	10.7	32.9								
SV8- 10	10	3/8"	10.5	15.9										
SV14- 4	4	#8	4.3	9.0										
SV14- 5	5	#10	5.3		9.5	36.5								
SV14- 6	6	1/4"	6.5	11.0			21.5	5.8	11.0	1.4	50	Blue	Wire range: 10- 16mm ² A.W.G.: (6) Max.current: I _{max} = 88A	
SV14- 8	8	5/16"	8.5	13.8	10.7	39.5								
SV14- 10	10	3/8"	10.5	15.9										
SV22- 5	5	#10	5.3	11.0	9.5	39.3								
SV22- 6	6	1/4"	6.5				23.5	7.7	13.0	1.6	50	Yellow	Wire range: 16- 25mm ² A.W.G.: (4) Max.current: I _{max} = 115A	
SV22- 8	8	5/16"	8.5	16.5	13.5	45.0								



INSULATED LOCKING SPADE TERMINALS

Product Features

- Maximum electrical rating: 600 volts
- Maximum temperature: 75
- Terminals material : copper
- Plating: Tin plated
- Insulation material: vinyl (PVC)



Product Parameters

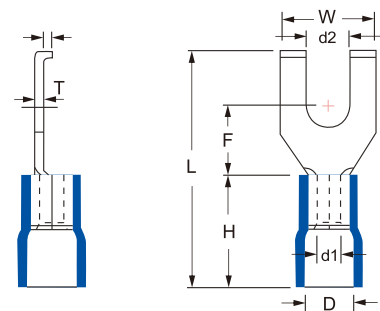
Item No.	Stud Size		Dimension Mm								Pcs/ Pack	Color	Explanation
	Metric	American	D2	W	F	L	H	d1	D	T			
LSV1.25- 3.5	3.5	#6	3.7	6.4	6.5	21.2	10.0	1.7	4.2	0.7	1000	Red	Wire range:0.5- 1.5mm ² A.W.G.: (22- 16) Max.current:I _{max} =19A
LSV1.25- 4	4	#8	4.3	7.2									
LSV1.25- 5S	5	#10	5.3	8.1	6.5	21.2	10.0	2.3	4.7	0.8	1000	Blue	Wire range:1.5- 2.5mm ² A.W.G.: (16- 14) Max.current:I _{max} =27A
LSV2- 3.5S	3.5	#6	3.7	6.0									
LSV2- 4	4	#8	4.3	7.2	7.0	25.5	13.0	3.4	6.5	1.0	500	Yellow	Wire range:4- 6mm ² A.W.G.: (12- 10) Max.current:I _{max} =48A
LSV2- 5S	5	#10	5.3	8.1									
LSV5.5- 4	4	#8	4.3	8.3	7.0	25.5	13.0	3.4	6.5	1.0	500	Yellow	Wire range:4- 6mm ² A.W.G.: (12- 10) Max.current:I _{max} =48A
LSV5.5- 5	5	#10	5.3	9.0									
LSV5.5- 6	6	1/4"	6.5	12.0	12.0	31.7							



INSULATED FLANGE SPADE TERMINALS

Product Features

- Maximum electrical rating: 600 volts
- Maximum temperature: 75
- Terminals material : copper
- Plating: Tin plated
- Insulation material: vinyl (PVC)



Product Parameters

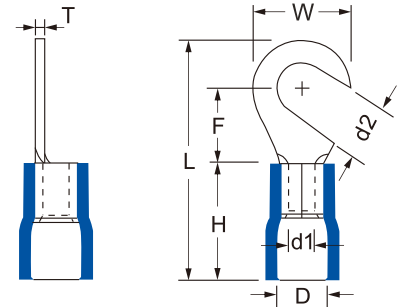
Item No.	Stud Size		Dimension Mm								Pcs/ Pack	Color	Explanation
	Metric	American	D2	W	F	L	H	d1	D	T			
FSV1.25- 4	4	#8	4.3	7.5	5.1	19.5	10.0	1.7	4.2	0.7	1000	Red	Wire range:0.5- 1.5mm ² A.W.G.: (22- 16) Max.current:I _{max} =19A
FSV1.25- 5	5	#10	5.3	7.5	5.2	20.2	10.0	2.3	4.7	0.8	1000	Blue	
FSV2- 4	4	#8	4.3	7.5	5.2	20.2	10.0	2.3	4.7	0.8	1000	Blue	Wire range:1.5- 2.5mm ² A.W.G.: (16- 14) Max.current:I _{max} =27A
FSV2- 5	5	#10	5.3	8.5	7.5	27.0	13.0	3.4	6.5	1.0	500	Yellow	
FSV5.5- 4	4	#8	4.3	8.5	7.5	27.0	13.0	3.4	6.5	1.0	500	Yellow	Wire range:4- 6mm ² A.W.G.: (12- 10) Max.current:I _{max} =48A
FSV5.5- 5	5	#10	5.3										



INSULATED HOOK TERMINALS

Product Features

- Maximum electrical rating: 600 volts
- Maximum temperature: 75
- Terminals material : copper
- Plating: Tin plated
- Insulation material: vinyl (PVC)



Product Parameters

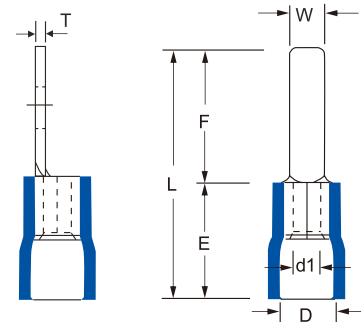
Item No.	Stud Size		Dimension Mm								Pcs/ Pack	Color	Explanation
	Metric	American	D2	W	F	L	H	d1	D	T			
HV1.25- 4	4	#8	4.3	8.0	7.0	21.0	10.0	1.7	4.2	0.7	1000	Red	Wire range:0.5- 1.5mm ² A.W.G.:(22- 16) Max.current:I _{max} =19A
HV1.25- 5	5	#10	5.3										
HV1.25- 6	6	1/4"	6.5	11.6	11.2	27.0	10.0	2.3	4.7	0.8	1000	Blue	Wire range:1.5- 2.5mm ² A.W.G.:(16- 14) Max.current:I _{max} =27A
HV2- 4	4	#8	4.3	8.5	7.75	22.0							
HV2- 5	5	#10	5.3	9.5	7.5	22.3							
HV2- 6	6	1/4"	6.5	12.0	11.0	27.0	13.0	3.4	6.5	1.0	500	Yellow	Wire range:4- 6mm ² A.W.G.:(12- 10) Max.current:I _{max} =48A
HV5.5- 4	4	#8	4.3	9.5	8.85	26.6							
HV5.5- 5	5	#10	5.3	12.0	10.5	29.5							
HV5.5- 6	6	1/4"	6.5										



INSULATED BLADE TERMINALS

Product Features

- Maximum electrical rating: 600 volts
- Maximum temperature: 75
- Terminals material : copper
- Plating: Tin plated
- Insulation material: vinyl (PVC)



Product Parameters

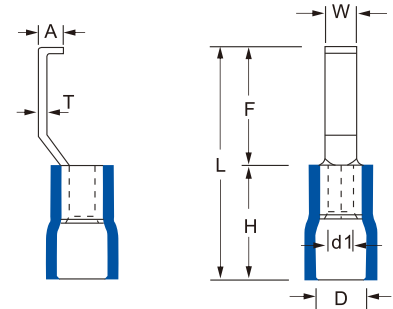
Item No.	Dimension Mm							Pcs/ Pack	Color	Explanation
	W	F	L	H	d1	D	T			
DBV1.25- 10	2.3	10.0	20.0	10.0	1.7	4.2	0.7	1000	Red	Wire range:0.5- 1.5mm ² A.W.G.:(22- 16) Max.current:I _{max} =19A
DBV1.25- 11	3.0	11.0	21.0							
DBV1.25- 14	3.0	14.0	24.0							
DBV1.25- 18	2.2	18.0	28.0	10.0	2.3	4.7	0.8	1000	Blue	Wire range:1.5- 2.5mm ² A.W.G.:(16- 14) Max.current:I _{max} =27A
DBV2- 10	2.4	10.0	20.0							
DBV2- 13	2.4	13.0	23.0							
DBV2- 14	2.4	14.0	24.0	13.0	3.4	6.5	1.0	500	Yellow	Wire range:4- 6mm ² A.W.G.:(12- 10) Max.current:I _{max} =48A
DBV2- 18	2.2	18.0	28.0							
DBV5.5- 10	2.8	10.0	23.0							
DBV5.5- 14	4.5	14.0	27.0							
DBV5.5- 18	4.5	18.0	31.0							



INSULATED LIPPED BLADE TERMINALS

Product Features

Maximum electrical rating: 600 volts
 Maximum temperature: 75
 Terminals material : copper
 Plating: Tin plated
 Insulation material: vinyl (PVC)



Product Parameters

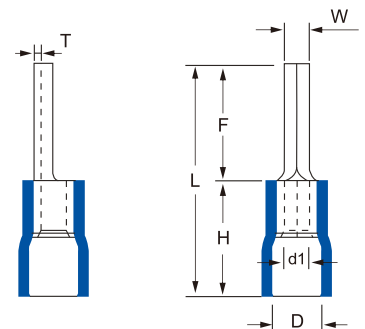
Item No.	Dimension Mm								Pcs/ Pack	Color	Explanation
	W	F	L	H	d1	D	T	A			
LBV1.25- 4.6	4.6	17.8	27.8	10.0	1.7	4.2	0.7	2.1	1000	Red	Wire range:0.5- 1.5mm ² A.W.G.:(22- 16) Max.current:I _{max} =19A
LBV2- 4.6	4.6	17.8	27.8	10.0	2.3	4.7	0.8	2.1	1000	Blue	Wire range:1.5- 2.5mm ² A.W.G.:(16- 14) Max.current:I _{max} =27A
LBV5.5- 4.6	4.6	18.2	31.2	13.0	3.4	6.5	1.0	2.75	500	Yellow	Wire range:4- 6mm ² A.W.G.:(12- 10) Max.current:I _{max} =48A



INSULATED PIN TERMINALS

Product Features

Maximum electrical rating: 600 volts
 Maximum temperature: 75
 Terminals material : copper
 Plating: Tin plated
 Insulation material: vinyl (PVC)



Product Parameters

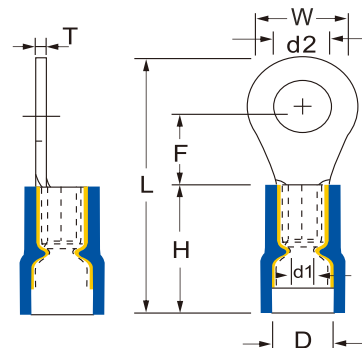
Item No.	Dimension Mm								Pcs/ Pack	Color	Explanation
	W	F	L	H	d1	D	T				
PTV1.25- 9	1.9	9.0	19.0	10.0	1.7	4.2	0.7	1000	Red	Wire range:0.5- 1.5mm ² A.W.G.:(22- 16) Max.current:I _{max} =19A	
PTV1.25- 10		10.0	20.0								
PTV1.25- 12		12.0	22.0								
PTV1.25- 13		13.0	23.0								
PTV1.25- 18	1.9	18.0	27.0	10.0	2.3	4.7	0.8	1000	Blue	Wire range:1.5- 2.5mm ² A.W.G.:(16- 14) Max.current:I _{max} =27A	
PTV2- 9		9.0	19.0								
PTV2- 10		10.0	20.0								
PTV2- 12		12.0	22.0								
PTV2- 13	1.9	13.0	23.0	10.0	3.4	6.5	1.0	500	Yellow	Wire range:4- 6mm ² A.W.G.:(12- 10) Max.current:I _{max} =48A	
PTV2- 18		18.0	27.0								
PTV5.5- 13	2.8	13.0	26.0	13.0	3.4	6.5	1.0	500	Yellow	Wire range:4- 6mm ² A.W.G.:(12- 10) Max.current:I _{max} =48A	



INSULATED RING TERMINALS DOUBLE CRIMP

Product Features

- Maximum electrical rating: 600 volts
- Maximum temperature: 75
- Terminals material : copper
- Plating: Tin plated
- Insulation material: vinyl (PVC)
- Double crimp: with copper sleeve on barrel



Product Parameters

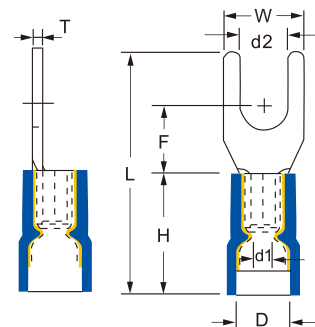
Item No.	Stud Size		Dimension Mm								Pcs/ Pack	Color	Explanation
	Metric	American	D2	W	F	L	H	d1	D	T			
RV1.25- 3.2D	3	#4	3.2	5.7	4.95	17.8	10.0	1.7	4.5	0.7	1000	Red	
RV1.25- 3.5SD	3.5	#6	3.7										
RV1.25- 3.5MD	3.5	#6	3.7	6.6	6.3	19.6							
RV1.25- 3.5LD	3.5	#6	3.7	8.0	7.0	21.0							
RV1.25- 4SD	4	#8	4.3	6.6	6.3	19.6							
RV1.25- 4LD	4	#8	4.3	8.0	7.0	21.0							
RV1.25- 5D	5	#10	5.3	9.5	7.5	22.3							
RV1.25- 5LD	5	#10	5.3										
RV1.25- 6D	6	1/4"	6.5	11.6	11.2	27.0							
RV1.25- 8D	8	5/16"	8.5										
RV1.25- 10D	10	3/8"	10.5	13.6	13.9	30.7							
RV1.25- 12D	12	1/2"	13.0				19.2	16.0	35.6				
RV2- 3.2D	3	#4	3.2	6.6	6.4	19.7	10.0	2.3	5.0	0.8	1000	Blue	Wire range:1.5- 2.5mm ² A.W.G.:(16- 14) Max.current:I _{max} =27A
RV2- 3.5SD	3.5	#6	3.7										
RV2- 3.5MD	3.5	#6	3.7	6.6	7.9	21.2							
RV2- 3.5LD	3.5	#6	3.7	8.5	7.75	22.0							
RV2- 4SD	4	#8	4.3	6.6	7.9	21.2							
RV2- 4LD	4	#8	4.3	8.5	7.75	22.0							
RV2- 5SD	5	#10	5.3	9.5	7.5	22.3							
RV2- 5LD	5	#10	5.3										
RV2- 6D	6	1/4"	6.5	12.0	11.0	27.0							
RV2- 8D	8	5/16"	8.5										
RV2- 10D	10	3/8"	10.5	13.6	13.9	30.7							
RV2- 12D	12	1/2"	13.0				19.2	16.0	35.6				
RV5.5- 3.5D	3.5	#6	3.7	7.2	5.9	22.5	13.0	3.4	6.7	1.0	500	Yellow	Wire range:4- 6mm ² A.W.G.:(12- 10) Max.current:I _{max} =48A
RV5.5- 4SD	4	#8	4.3										
RV5.5- 4LD	4	#8	4.3	9.5	8.85	26.6							
RV5.5- 5D	5	#10	5.3	15.0	13.5	34.0							
RV5.5- 6D	6	1/4"	6.5										
RV5.5- 8D	8	5/16"	8.5	19.2	16.0	38.6							
RV5.5- 10D	10	3/8"	10.5										
RV5.5- 12D	12	1/2"	13.0	19.2	16.0	38.6							



NYLON-INSULATED SPADE TERMINALS DOUBLE CRIMP

Product Features

- Maximum electrical rating: 600 volts
- Maximum temperature: 75
- Terminals material : copper
- Plating: Tin plated
- Insulation material: vinyl (PVC)
- Double crimp: with copper sleeve on barrel



Product Parameters

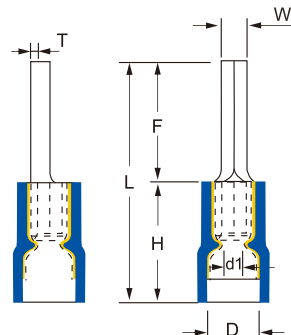
Item No.	Stud Size		Dimension Mm								Pcs/ Pack	Color	Explanation	
	Metric	American	D2	W	F	L	H	d1	D	T				
SV1.25- 3.2D	3	#4	3.2	5.7	6.5	21.2	10.0	1.7	4.5	0.7	1000	Red	Wire range:0.5- 1.5mm ² A.W.G.: (22- 16) Max.current:I _{max} =19A	
SV1.25- 3.5SD	3.5	#6	3.7											
SV1.25- 3.5LD	3.5	#6	3.7	6.4										
SV1.25- 4SD	4	#8	4.3	6.4										
SV1.25- 4MD	4	#8	4.3	7.2										
SV1.25- 5SD	5	#10	5.3	8.1										
SV1.25- 5LD	5	#10	5.3	9.5										
SV1.25- 6SD	6	1/4"	6.5	12.0										11.0
SV1.25- 6LD	6	1/4"	6.5		12.0	11.0	27.2							
SV1.25- 8D	8	5/16"	8.5		13.5	11.5	26.7							
SV2- 3.2D	3	#4	3.2	5.7	6.5	21.2	10.0	2.3	5.0	0.8	1000	Blue	Wire range:1.5- 2.5mm ² A.W.G.: (16- 14) Max.current:I _{max} =27A	
SV2- 3.5SD	3.5	#6	3.7											
SV2- 3.5LD	3.5	#6	3.7	6.0										
SV2- 4SD	4	#8	4.3	6.4										
SV2- 4MD	4	#8	4.3	7.2										
SV2- 5SD	5	#10	5.3	8.1										
SV2- 5LD	5	#10	5.3	9.5										
SV2- 6SD	6	1/4"	6.5	12.0										11.0
SV2- 6LD	6	1/4"	6.5		12.0	11.0	27.2							
SV2- 8D	8	5/16"	8.5		13.5	11.5	27.0							
SV5.5- 3.5D	3.5	#6	3.7	8.3	7.0	25.5	13.0	3.4	6.7	1.0	500	Yellow	Wire range:4- 6mm ² A.W.G.: (12- 10) Max.current:I _{max} =48A	
SV5.5- 4SD	4	#8	4.3	8.3										
SV5.5- 4LD	4	#8	4.3	9.0										
SV5.5- 5D	5	#10	5.3		9.0									
SV5.5- 6SD	6	1/4"	6.5		12.0	31.7								
SV5.5- 6LD	6	1/4"	6.5	12.0										31.7
SV5.5- 8D	8	5/16"	8.5	14.0										11.5



NYLON-INSULATED PIN TERMINALS DOUBLE CRIMP

Product Features

- Maximum electrical rating: 600 volts
- Maximum temperature: 75
- Terminals material : copper
- Plating: Tin plated
- Insulation material: vinyl (PVC)
- Double crimp: with copper sleeve on barrel



Product Parameters

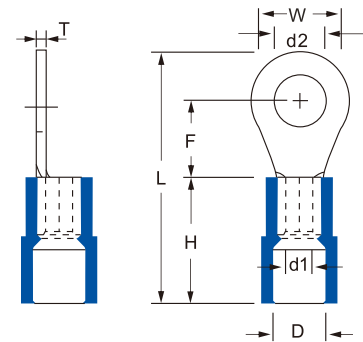
Item No.	Dimension Mm							Pcs/ Pack	Color	Explanation
	W	F	L	H	d1	D	T			
PTV1.25- 9D	1.9	9.0	19.0	10.0	1.7	4.2	0.7	1000	Red	Wire range:0.5- 1.5mm ² A.W.G.:(22- 16) Max.current:I _{max} =19A
PTV1.25- 10D		10.0	20.0							
PTV1.25- 12D		12.0	22.0							
PTV1.25- 13D		13.0	23.0							
PTV1.25- 17D		17.0	27.0							
PTV2- 9D	1.9	9.0	19.0	10.0	2.3	5.0	0.8	1000	Blue	Wire range:1.5- 2.5mm ² A.W.G.:(16- 14) Max.current:I _{max} =27A
PTV2- 10D		10.0	20.0							
PTV2- 12D		12.0	22.0							
PTV2- 13D		13.0	23.0							
PTV2- 17D		17.0	27.0							
PTV5.5- 13D	2.8	13.0	26.0	13.0	3.4	6.7	1.0	500	Yellow	Wire range:4- 6mm ² A.W.G.:(12- 10) Max.current:I _{max} =48A



NYLON-INSULATED SPING TERMINALS

Product Features

- Maximum electrical rating: 600 volts
- Maximum temperature: 105
- Terminals material : copper
- Plating: Tin plated
- Insulation material: easy entry nylon



Product Parameters

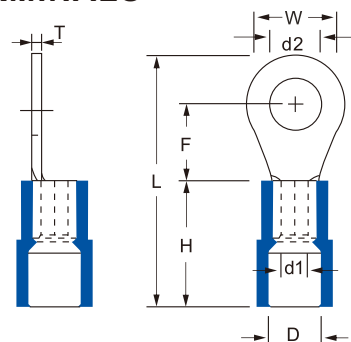
Item No.	Stud Size		Dimension Mm								Pcs/ Pack	Color	Explanation	
	Metric	American	D2	W	F	L	H	d1	D	T				
RNY1.25- 3.2	3	#4	3.2											
RNY1.25- 3.5S	3.5	#6	3.7	5.7	4.95	18.8								
RNY1.25- 3.5M	3.5	#6	3.7	6.6	6.3	20.6								
RNY1.25- 3.5L	3.5	#6	3.7	8.0	7.0	22.0								
RNY1.25- 4S	4	#8	4.3	6.6	6.3	20.6								
RNY1.25- 4L	4	#8	4.3	8.0	7.0	22.0	11.0	1.7	4.3	0.7	1000	Red	Wire range:0.5- 1.5mm ² A.W.G.: (22- 16) Max.current:I _{max} =19A	
RNY1.25- 5	5	#10	5.3											
RNY1.25- 5L	5	#10	5.3	9.5	7.5	23.3								
RNY1.25- 6	6	1/4"	6.5											
RNY1.25- 8	8	5/16"	8.5	11.6	11.2	28.0								
RNY1.25- 10	10	3/8"	10.5	13.6	13.9	31.7								
RNY1.25- 12	12	1/2"	13.0	19.2	16.0	36.6								
RNY2- 3.2	3	#4	3.2											
RNY2- 3.5	3.5	#6	3.7	6.6	6.4	20.7								
RNY2- 3.5M	3.5	#6	3.7	6.6	7.9	22.2								
RNY2- 3.5L	3.5	#6	3.7	8.5	7.75	23.0								
RNY2- 4S	4	#8	4.3	6.6	7.9	22.2								
RNY2- 4L	4	#8	4.3	8.5	7.75	23.0	11.0	2.3	4.8	0.8	1000	Blue	Wire range:1.5- 2.5mm ² A.W.G.: (16- 14) Max.current:I _{max} =27A	
RNY2- 5S	5	#10	5.3											
RNY2- 5L	5	#10	5.3	9.5	7.5	23.3								
RNY2- 6	6	1/4"	6.5	12.0	11.0	28.0								
RNY2- 8	8	5/16"	8.5	12.0	11.0	28.0								
RNY2- 10	10	3/8"	10.5	13.6	13.9	31.7								
RNY2- 12	12	1/2"	13.0	19.2	16.0	36.6								



NYLON-INSULATED RING TERMINALS

Product Features

- Maximum electrical rating: 600 volts
- Maximum temperature: 105
- Terminals material : copper
- Plating: Tin plated
- Insulation material: easy entry nylon



Product Parameters

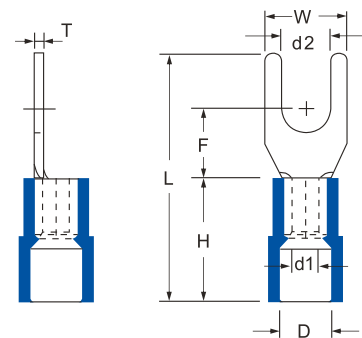
Item No.	Stud Size		Dimension Mm								Pcs/ Pack	Color	Explanation	
	Metric	American	D2	W	F	L	H	d1	D	T				
RNY5.5- 3.5	3.5	#6	3.7											
RNY5.5- 4S	4	#8	4.3	7.2	5.9	22.5								
RNY5.5- 4L	4	#8	4.3											
RNY5.5- 5	5	#10	5.3	9.5	8.85	26.6								
RNY5.5- 6	6	1/4"	6.5	12.0	10.5	29.5	13.0	3.4	6.7	1.0	500	Yellow	Wire range: 4- 6mm ² A.W.G.: (12- 10) Max.current: I _{max} = 48A	
RNY5.5- 8	8	5/16"	8.5	15.0	13.5	34.0								
RNY5.5- 10	10	3/8"	10.5											
RNY5.5- 12	12	1/2"	13.0	19.2	16.0	38.6								
RNYB8- 4S	4.0	#8	4.3	8	9.3	29.3								
RNYB8- 5S	5.0	#10	5.3	8.8	9.3	29.7								
RNYB8- 5M	5.0	#10	5.3	12.0	9.3	31.3								
RNYB8- 5L	5.0	#10	5.3	15.0	13.8	37.3	16.0	4.5	8.0	1.2	100	Red	Wire range: 6- 10mm ² A.W.G.: (8) Max.current: I _{max} = 62A	
RNYB8- 6S	6.0	1/4"	6.5	12.0	9.3	31.3								
RNYB8- 8	8	5/16"	8.5	15.0	11.1	37.3								
RNYB8- 10	10	3/8"	10.5											
RNYB8- 12	12	1/2"	13.0	20.0	15.0	41.0								
RNYB14- 4	4	#8	4.3											
RNYB14- 5	5	#10	5.3	12.0	13.3	40.8								
RNYB14- 6S	6	1/4"	6.5											
RNYB14- 8	8	5/16"	8.5	16.0	14.5	43.5	21.5	5.4	11.0	1.4	50	Blue	Wire range: 10- 16mm ² A.W.G.: (6) Max.current: I _{max} = 88A	
RNYB14- 10	10	3/8"	10.5											
RNYB14- 12	12	1/2"	13.0	22.0	19.5	52.0								
RNYB22- 5S	5	#10	5.3	12.2	15.1	44.7								
RNYB22- 6S	6	1/4"	6.5	12.2	15.1	44.7								
RNYB22- 8	8	5/16"	8.5	16.5	13.5	45.2	23.5	7.7	13.0	1.6	50	Red	Wire range: 16- 25mm ² A.W.G.: (4) Max.current: I _{max} = 115A	
RNYB22- 10	10	3/8"	10.5											
RNYB22- 12	12	1/2"	13.0	22.0	19.5	54.0								
RNYB38- 5	5	#10	5.3											
RNYB38- 6	6	1/4"	6.5	15.3	17.4	52.0								
RNYB38- 8S	8	5/16"	8.5				27.0	9.4	14.5	1.7	20	Red	Wire range: 35mm ² A.W.G.: (2) Max.current: I _{max} = 160A	
RNYB38- 10S	10	3/8"	10.5	15.3	17.4	52.0								
RNYB38- 12	12	1/2"	13.0	22.0	17.7	55.7								



NYLON-INSULATED SPADE TERMINALS

Product Features

- Maximum electrical rating: 600 volts
- Maximum temperature: 105
- Terminals material : copper
- Plating: Tin plated
- Insulation material: easy entry nylon



Product Parameters

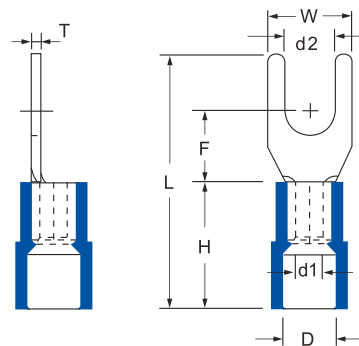
Item No.	Stud Size		Dimension Mm								Pcs/ Pack	Color	Explanation		
	Metric	American	D2	W	F	L	H	d1	D	T					
SNY1.25- 3.2	3	#4	3.2	5.7	6.5	22.2	11.0	1.7	4.3	0.7	1000	Red	Wire range:0.5- 1.5mm ² A.W.G.:(22- 16) Max.current:I _{max} =19A		
SNY1.25- 3.5S	3.5	#6	3.7												
SNY1.25- 3.5L	3.5	#6	3.7	6.4											
SNY1.25- 4S	4	#8	4.3	6.4											
SNY1.25- 4M	4	#8	4.3	7.2											
SNY1.25- 4L	4	#8	4.3	8.1											
SNY1.25- 5S	5	#10	5.3	9.5											
SNY1.25- 5L	5	#10	5.3												
SNY1.25- 6S	6	1/4"	6.5	12.0										11.0	28.2
SNY1.25- 6L	6	1/4"	6.5												
SNY1.25- 8	8	5/16"	8.5		13.5	11.5	28.0								
SNY2- 3.2	3	#4	3.2	5.7	6.5	22.2	11.0	2.3	4.8	0.8	1000	Blue	Wire range:1.5- 2.5mm ² A.W.G.:(16- 14) Max.current:I _{max} =27A		
SNY2- 3.5S	3.5	#6	3.7												
SNY2- 3.5L	3.5	#6	3.7	6.0											
SNY2- 4S	4	#8	4.3	6.4											
SNY2- 4M	4	#8	4.3	7.2											
SNY2- 4L	4	#8	4.3	8.1											
SNY2- 5S	5	#10	5.3	9.5											
SNY2- 5L	5	#10	5.3												
SNY2- 6S	6	1/4"	6.5	12.0										11.0	28.2
SNY2- 6L	6	1/4"	6.5												
SNY2- 8	8	5/16"	8.5		13.5	11.5	28.0								



NYLON-INSULATED SPADE TERMINALS

Product Features

- Maximum electrical rating: 600 volts
- Maximum temperature: 105
- Terminals material : copper
- Plating: Tin plated
- Insulation material: easy entry nylon



Product Parameters

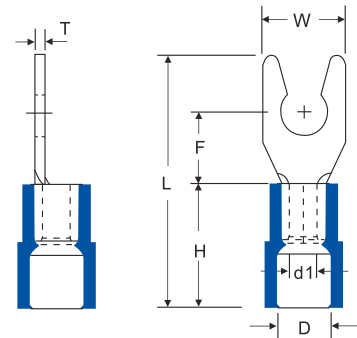
Item No.	Stud Size		Dimension Mm								Pcs/ Pack	Color	Explanation	
	Metric	American	D2	W	F	L	H	d1	D	T				
SNY5.5- 3.5	3.5	#6	3.7	8.3	7.0	25.5								
SNY5.5- 4S	4	#8	4.3	8.3	7.0	25.5								
SNY5.5- 4L	4	#8	4.3											
SNY5.5- 5	5	#10	5.3	9.0	7.0	25.5	13.0	3.4	6.7	1.0	500	Yellow	Wire range: 4- 6mm ² A.W.G.: (12- 10) Max.current: I _{max} = 48A	
SNY5.5- 6S	6	1/4"	6.5											
SNY5.5- 6L	6	1/4"	6.5	12.0	12.0	31.7								
SNY5.5- 8	8	5/16"	8.5	14.0	11.5	30.7								
SNY8- 4	4	#8	4.3	9.0	7.6	28.3								
SNY8- 5	5	#10	5.3	9.0	8.1									
SNY8- 6	6	1/4"	6.5	12.0	9.2	31.3	16.0	4.5	8.0	1.2	100	Red	Wire range: 6- 10mm ² A.W.G.: (8) Max.current: I _{max} = 62A	
SNY8- 8	8	5/16"	8.5	13.8	10.7	32.9								
SNY8- 10	10	3/8"	10.5	15.9										
SNY14- 4	4	#8	4.3	9.0										
SNY14- 5	5	#10	5.3		9.5	36.5								
SNY14- 6	6	1/4"	6.5	11.0			21.5	5.8	11.0	1.4	50	Blue	Wire range: 10- 16mm ² A.W.G.: (6) Max.current: I _{max} = 88A	
SNY14- 8	8	5/16"	8.5	13.8	10.7	39.5								
SNY14- 10	10	3/8"	10.5	15.9										
SNY22- 5	5	#10	5.3	11.0	9.5	39.3	23.5	7.7	13.0	1.6	50	Red	Wire range: 16- 25mm ² A.W.G.: (4) Max.current: I _{max} = 115A	
SNY22- 6	6	1/4"	6.5											
SNY22- 8	8	5/16"	8.5	16.5	13.5	45.0								



NYLON-INSULATED LOCKING SPADE TERMINALS

Product Features

- Maximum electrical rating: 600 volts
- Maximum temperature: 105
- Terminals material : copper
- Plating: Tin plated
- Insulation material: easy entry nylon



Product Parameters

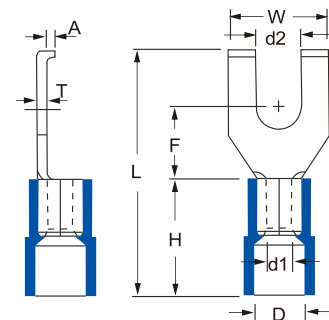
Item No.	Stud Size		Dimension Mm								Pcs/ Pack	Color	Explanation
	Metric	American	D2	W	F	L	H	d1	D	T			
LSNY1.25- 4S	4	#8	4.3	7.5	6.5	22.2	11.0	1.7	4.3	0.7	1000	Red	Wire range:0.5- 1.5mm ² A.W.G.:(22- 16) Max.current:I _{max} =19A
LSNY1.25- 5S	5	#10	5.3	8.1									
LSNY2- 3.5S	3.5	#6	3.7	6.0	7.0	25.5	13.0	3.4	6.7	1.0	500	Yellow	Wire range:4- 6mm ² A.W.G.:(12- 10) Max.current:I _{max} =48A
LSNY2- 4	4	#8	4.3	7.2									
LSNY2- 5S	5	#10	5.3	8.1									
LSNY5.5- 4	4	#8	4.3	8.3	7.0	25.5	13.0	3.4	6.7	1.0	500	Yellow	Wire range:4- 6mm ² A.W.G.:(12- 10) Max.current:I _{max} =48A
LSNY5.5- 5	5	#10	5.3	9.0									
LSNY5.5- 6	6	1/4"	6.5	12.0									



NYLON-INSULATED FLANGE SPADE TERMINALS

Product Features

- Maximum electrical rating: 600 volts
- Maximum temperature: 105
- Terminals material : copper
- Plating: Tin plated
- Insulation material: easy entry nylon



Product Parameters

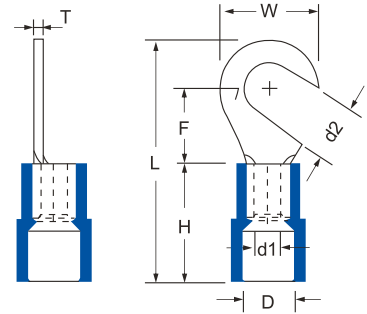
Item No.	Stud Size		Dimension Mm								Pcs/ Pack	Color	Explanation
	Metric	American	D2	W	F	L	H	d1	D	T			
FSNY1.25- 3.5	3.5	#6	3.7		5.1	19.3	11.0	1.7	4.3	0.7	1000	Red	Wire range:0.5- 1.5mm ² A.W.G.:(22- 16) Max.current=19A
FSNY1.25- 4	4	#8	4.3	7.5									
FSNY1.25- 5	5	#10	5.3		7.5	21.2	11.0	2.3	4.8	0.8	1000	Blue	Wire range:1.5- 2.5mm ² A.W.G.:(16- 14) Max.current=27A
FSNY2- 4	4	#8	4.3	7.5									
FSNY2- 5	5	#10	5.3	8.1									
FSNY5.5- 4	4	#8	4.3	8.5	7.5	27.0	13.0	3.4	6.7	1.0	500	Yellow	Wire range:4- 6mm ² A.W.G.:(12- 10) Max.current=48A
FSNY5.5- 5	5	#10	5.3	9.0									



NYLON-INSULATED HOOK TERMINALS

Product Features

Maximum electrical rating: 600 volts
 Maximum temperature: 105
 Terminals material : copper
 Plating: Tin plated
 Insulation material: easy entry nylon



Product Parameters

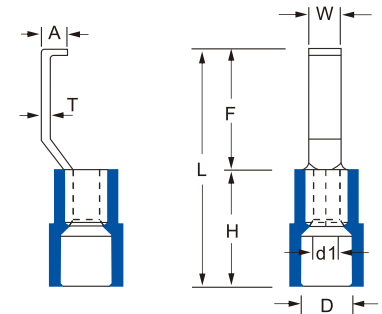
Item No.	Stud Size		Dimension Mm								Pcs/ Pack	Color	Explanation
	Metric	American	D2	W	F	L	H	d1	D	T			
HNY1.25- 4	4	#8	4.3	8.0	7.0	22.0	11.0	1.7	4.3	0.7	1000	Red	Wire range:0.5- 1.5mm ² A.W.G.:(22- 16) Max.current=19A
HNY1.25- 5	5	#10	5.3										
HNY1.25- 6	6	1/4"	6.5										
HNY2- 4	4	#8	4.3	8.5	7.75	23.0	11.0	2.3	4.8	0.8	1000	Blue	Wire range:1.5- 2.5mm ² A.W.G.:(16- 14) Max.current=27A
HNY2- 5	5	#10	5.3	9.5	7.5	23.3							
HNY2- 6	6	1/4"	6.5	12.0	11.0	28.0							
HNY5.5- 4	4	#8	4.3	9.5	8.85	26.6	13.0	3.4	6.7	1.0	500	Yellow	Wire range:4- 6mm ² A.W.G.:(12- 10) Max.current=48A
HNY5.5- 5	5	#10	5.3										
HNY5.5- 6	6	1/4"	6.5										



NYLON-INSULATED LIPPED BLADE TERMINALS

Product Features

Maximum electrical rating: 600 volts
 Maximum temperature: 105
 Terminals material : copper
 Plating: Tin plated
 Insulation material: easy entry nylon



Product Parameters

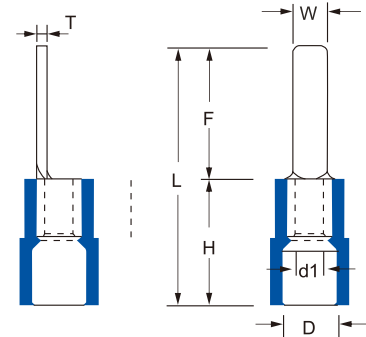
Item No.	Dimension Mm								Pcs/ Pack	Color	Explanation
	W	F	L	H	d1	D	T	A			
LBNY1.25- 4.6	4.6	17.8	28.8	11.0	1.7	4.3	0.7	2.1	1000	Red	Wire range:0.5- 1.5mm ² A.W.G.:(22- 16) Max.current:I _{max} =19A
LBNY2- 4.6	4.6	17.8	28.8	11.0	2.3	4.8	0.8	2.1	1000	Blue	Wire range:1.5- 2.5mm ² A.W.G.:(16- 14) Max.current:I _{max} =27A
LBNY5.5- 4.6	4.6	18.2	31.2	13.0	3.4	6.7	1.0	2.75	500	Yellow	Wire range:4- 6mm ² A.W.G.:(12- 10) Max.current:I _{max} =48A



NYLON-INSULATED BLADE TERMINALS

Product Features

- Maximum electrical rating: 600 volts
- Maximum temperature: 105
- Terminals material : copper
- Plating: Tin plated
- Insulation material: easy entry nylon



Product Parameters

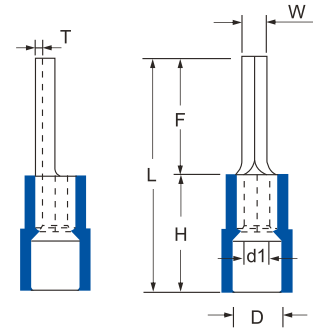
Item No.	Dimension Mm							Pcs/ Pack	Color	Explanation
	W	F	L	H	d1	D	T			
DBNY1.25- 9	2.8	9.0	20.0	11.0	1.8	4.3	0.7	1000	Red	Wire range:0.5- 1.5mm ² A.W.G.:(22- 16) Max.current:I _{max} =19A
DBNY1.25- 10	2.3	10.0	21.0							
DBNY1.25- 11	3.0	11.0	22.0							
DBNY1.25- 13	3.0	13.0	24.0							
DBNY1.25- 14	3.0	14.0	25.0							
DBNY1.25- 18	2.2	18.0	29.0							
DBNY1.25- 18S	2.0									
DBNY2- 9	3.0	9.0	20.0	11.0	2.4	4.8	0.8	1000	Blue	Wire range:1.5- 2.5mm ² A.W.G.:(16- 14) Max.current:I _{max} =27A
DBNY2- 10	2.4	10.0	21.0							
DBNY2- 13	2.4	13.0	24.0							
DBNY2- 13L	3.0									
DBNY2- 14	2.4	14.0	25.0							
DBNY2- 14L	3.0									
DBNY2- 18S	2.0									
DBNY2- 18	2.2	18.0	29.0	13.0	3.5	6.7	1.0	500	Yellow	Wire range:4- 6mm ² A.W.G.:(12- 10) Max.current:I _{max} =48A
DBNY5.5- 10	2.8	10.0	23.0							
DBNY2- 14S	4.0	14.0	27.0							
DBNY5.5- 14	4.5									
DBNY2- 18S	2.0	18.0	31.0							
DBNY5.5- 18	4.5									



NYLON-INSULATED PIN TERMINALS

Product Features

Maximum electrical rating: 600 volts
 Maximum temperature: 105
 Terminals material : copper
 Plating: Tin plated
 Insulation material: easy entry nylon



Product Parameters

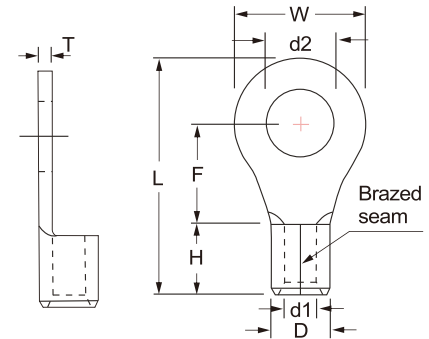
Item No.	Dimension Mm							Pcs/ Pack	Color	Explanation
	W	F	L	H	d1	D	T			
PTNY1.25- 9	1.9	9.0	20.0	11.0	1.7	4.3	0.7	1000	Red	Wire range:0.5- 1.5mm ² A.W.G.:(22- 16) Max.current I _{max} =19A
PTNY1.25- 10		10.0	21.0							
PTNY1.25- 12		12.0	23.0							
PTNY1.25- 13		13.0	24.0							
PTNY1.25- 18		18.0	28.0							
PTNY2- 9	1.9	9.0	20.0	11.0	2.3	4.8	0.8	1000	Blue	Wire range:1.5- 2.5mm ² A.W.G.:(16- 14) Max.current I _{max} =27A
PTNY2- 10		10.0	21.0							
PTNY2- 12		12.0	23.0							
PTNY2- 13		13.0	24.0							
PTNY2- 18		18.0	28.0							
PTNY5.5- 13	2.8	13.0	26.0	13.0	3.4	6.7	1.0	500	Yellow	Wire range:4- 6mm ² A.W.G.:(12- 10) Max.current I _{max} =48A



UN-RING TERMINALS

Product Features

Terminals material : copper
 Brazed Seam
 Plating: Tin



Product Parameters

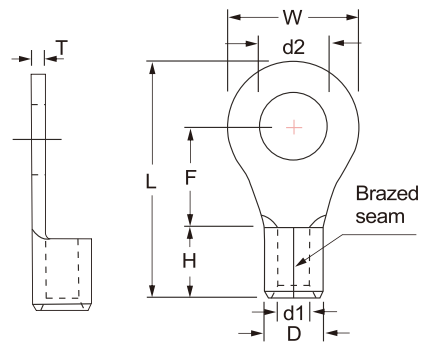
Item No.	Stud Size		Dimension Mm								Pcs/ Pack	Explanation	
	Metric	American	D2	W	F	L	H	d1	D	T			
RNB0.5- 2.2	2	#2	2.2									1000	Wire range:0.2- 0.5mm ² A.W.G.: (26- 22) Max.current= 9A
RNB0.5- 2.7	2.5	#3	2.7	5.0	6.0	12.5							
RNB0.5- 3.2	3	#4	3.2				4.0	1.2	2.2	0.5			
RNB0.5- 4	4	#8	4.3	6.5	8.5	15.25							
RNB0.5- 5	5	#10	5.3	8.0	8.0	16.0							
RNB1.25- 3.2	3	#4	3.2	5.7	4.95	12.6					1000	Wire range:0.5- 1.5mm ² A.W.G.: (22- 16) Max.current I _{max} =19A	
RNB1.25- 3.5S	3.5	#6	3.7	6.6	6.3	14.4							
RNB1.25- 3.5M	3.5	#6	3.7	8.0	7.0	15.8							
RNB1.25- 3.5L	3.5	#6	3.7	5.7	4.95	12.6							
RNB1.25- 3.7S	3.5	#6	3.7	6.6	6.3	14.4							
RNB1.25- 3.7M	3.5	#6	3.7	8.0	7.0	15.8							
RNB1.25- 3.7L	3.5	#6	3.7	6.6	6.3	14.4	4.8	1.7	3.4	0.7			
RNB1.25- 4S	4	#8	4.3	8.0	7.0	15.8							
RNB1.25- 4L	4	#8	4.3	11.6	11.2	21.8							
RNB1.25- 5	5	#10	5.3	13.6	13.9	25.5							
RNB1.25- 6	6	1/4"	6.5	19.2	16.0	30.4					500	Wire range:1.5- 2.5mm ² A.W.G.: (16- 14) Max.current I _{max} =27A	
RNB1.25- 8	8	5/6"	8.5										
RNB1.25- 8L	8	5/16"	8.5										
RNB1.25- 10	10	3/8"	10.5										
RNB1.25- 12	12	1/2"	13.0										
RNB1.25- 14	14	9/16"	15.0								1000	Wire range:1.5- 2.5mm ² A.W.G.: (16- 14) Max.current I _{max} =27A	
RNB1.25- 16	16	5/8"	17.0	27.0	21.0	39.3	4.8	1.8	3.4	0.8			
RNB1.25- 20	20	3/4"	21.0										
RNB2- 3.2S	3	#4	3.2	5.5	4.8	12.4							
RNB2- 3.2	3	#4	3.2	6.6	6.4	14.5							
RNB2- 3.5	3.5	#6	3.7	6.6	7.9	16.0					1000	Wire range:1.5- 2.5mm ² A.W.G.: (16- 14) Max.current I _{max} =27A	
RNB2- 3.5M	3.5	#6	3.7	8.5	7.75	16.8	4.8	2.3	4.0	0.8			
RNB2- 3.5L	3.5	#6	3.7	6.6	6.4	14.5							
RNB2- 3.7	3.5	#6	3.7	6.6	7.9	16.0							
RNB2- 3.7M	3.5	#6	3.7	8.5	7.75	16.8							
RNB2- 3.7L	3.5	#6	3.7	6.6	7.9	16.0					500	Wire range:1.5- 2.5mm ² A.W.G.: (16- 14) Max.current I _{max} =27A	
RNB2- 4S	4	#8	4.3	8.5	7.75	16.8	4.8	2.4	4.0	0.8			
RNB2- 4L	4	#8	4.3	12.0	11.0	21.8							
RNB2- 5S	5	#10	5.3	13.6	13.9	25.5							
RNB2- 5L	5	#10	5.3	19.2	16.0	30.4							
RNB2- 6	6	1/4"	6.5	27.0	21.0	39.3					500	Wire range:1.5- 2.5mm ² A.W.G.: (16- 14) Max.current I _{max} =27A	
RNB2- 8	8	5/6"	8.5										
RNB2- 8L	8	5/16"	8.5										
RNB2- 10	10	3/8"	10.5										
RNB2- 12	12	1/2"	13.0										
RNB2- 14	14	9/16"	15.0								500	Wire range:1.5- 2.5mm ² A.W.G.: (16- 14) Max.current I _{max} =27A	
RNB2- 16	16	5/8"	17.0	27.0	21.0	39.3	4.8	2.4	4.0	0.8			
RNB2- 20	20	3/4"	21.0										



UN-RING TERMINALS

Product Features

Terminals material : copper
 Brazed Seam
 Plating: Tin



Product Parameters

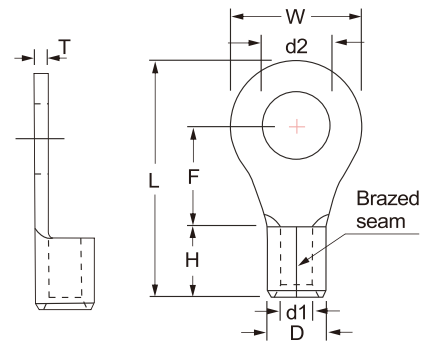
Item No.	Stud Size		Dimension Mm								Pcs/ Pack	Explanation
	Metric	American	D2	W	F	L	H	d1	D	T		
RNB3.5- 4	4	#8	4.3	8.0	7.7	17.7	6.0	2.9	5.0	1.0	1000	Wire range:2.5- 4mm ² A.W.G.:(14- 12) Max.current=37A
RNB3.5- 5S	5	#10	5.3									
RNB3.5- 6	6	1/4"	6.5									
RNB3.5- 8	8	5/16"	8.5									
RNB5.5- 3.5	3.5	#6	3.7	7.2	5.9	15.5	6.8	3.4	5.5	1.0	1000	Wire range:0.5- 1.5mm ² A.W.G.:(22- 16) Max.current I _{max} =19A
RNB5.5- 4S	4	#8	4.3									
RNB5.5- 4L	4	#8	4.3									
RNB5.5- 5	5	#10	5.3									
RNB5.5- 6	6	1/4"	6.5	15.0	13.5	22.3	8.5	4.5	7.2	1.2	500	Wire range:6- 10mm ² A.W.G.:(8) Max.current I _{max} =62A
RNB5.5- 8	8	5/16"	8.5									
RNB5.5- 10	10	3/8"	10.5	15.0	13.8	29.8	8.5	4.5	7.2	1.2	500	Wire range:6- 10mm ² A.W.G.:(8) Max.current I _{max} =62A
RNB5.5- 12	12	1/2"	13.0									
RNB8- 4S	4	#8	4.3	8.0	9.3	21.8	8.5	4.5	7.2	1.2	500	Wire range:6- 10mm ² A.W.G.:(8) Max.current I _{max} =62A
RNB8- 4L	4	#8	4.3									
RNB8- 5S	5	#10	5.3	8.8	9.3	22.2	8.5	4.5	7.2	1.2	500	Wire range:6- 10mm ² A.W.G.:(8) Max.current I _{max} =62A
RNB8- 5M	5	#10	5.3									
RNB8- 5L	5	#10	5.3	15.0	13.8	29.8	8.5	4.5	7.2	1.2	500	Wire range:6- 10mm ² A.W.G.:(8) Max.current I _{max} =62A
RNB8- 6S	6	1/4"	6.5									
RNB8- 8	8	5/16"	8.5	15.0	13.8	29.8	8.5	4.5	7.2	1.2	500	Wire range:6- 10mm ² A.W.G.:(8) Max.current I _{max} =62A
RNB8- 10	10	3/8"	10.5									
RNB8- 12	12	1/2"	13.0	20.0	15.0	33.5	8.5	4.5	7.2	1.2	500	Wire range:6- 10mm ² A.W.G.:(8) Max.current I _{max} =62A



UN-RING TERMINALS

Product Features

Terminals material : copper
 Brazed Seam
 Plating: Tin



Product Parameters

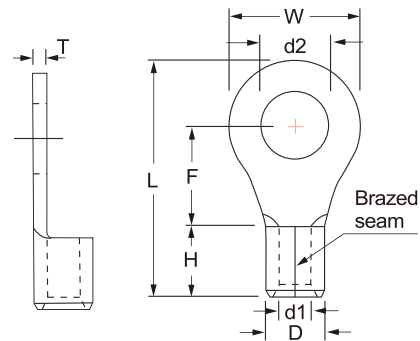
Item No.	Stud Size		Dimension Mm								Pcs/ Pack	Explanation
	Metric	American	D2	W	F	L	H	d1	D	T		
RNB14- 4	4	#8	4.3									Wire range:10- 16mm ² A.W.G.: (6) Max.current I _{max} =88A
RNB14- 5	5	#10	5.3	12.0	13.3	29.8						
RNB14- 6S	6	1/4"	6.5				10.5	6.0	9.3	1.4	500	
RNB14- 6L	6	1/4"	6.5									
RNB14- 8	8	5/16"	8.5	16.0	14.0	32.5						
RNB14- 10	10	3/8"	10.5									
RNB14- 10L	10	3/8"	10.5									
RNB14- 12	12	1/2"	13.0	22.0	19.5	41.0						
RNB14- 14	14	9/16"	15.0				10.5	6.0	9.0	1.4	250	
RNB14- 16	16	5/8"	17.0	28.0	24.0	48.5						
RNB14- 20	20	3/4"	21.0									
RNB22- 4	4	#8	4.3	12.2	15.1	33.2						
RNB22- 5S	5	#10	5.3									
RNB22- 5L	5	#10	5.3	16.5	13.5	33.7						
RNB22- 6S	6	1/4"	6.5	12.2	15.1	33.2	12.0	8.1	11.5	1.8	250	
RNB22- 6L	6	1/4"	6.5									
RNB22- 8	8	5/16"	8.5	16.5	13.5	33.7						
RNB22- 10	10	3/8"	10.5									
RNB22- 10L	10	3/8"	10.5									
RNB22- 12	12	1/2"	13.0	22.0	19.5	42.5	12.0	8.1	11.5	1.8	200	
RNB22- 14	14	9/16"	15.0									
RNB22- 16	16	5/8"	17.0	28.0	24.0	50.0	12.0	8.1	11.5	1.8	200	
RNB22- 20	20	3/4"	21.0									
RNB38- 5	5	#10	5.3	15.3	17.4	39.0	14.0	9.7	13.3	1.8	200	Wire range: 35mm ² A.W.G.: (2) Max.current I _{max} =160A
RNB38- 6S	6	1/4"	6.5									
RNB38- 6L	6	1/4"	6.5	22.0	17.7	42.7	14.0	9.7	13.3	1.8	100	
RNB38- 8S	8	5/16"	8.5	15.3	17.4	39.0	14.0	9.7	13.3	1.8	200	
RNB38- 8L	8	5/16"	8.5	22.0	17.7	42.7	14.0	9.7	13.3	1.8	100	
RNB38- 10S	10	3/8"	10.5	15.3	17.4	39.0	14.0	9.7	13.3	1.8	200	
RNB38- 10L	10	3/8"	10.5									
RNB38- 12	12	1/2"	13.0	22.0	17.7	42.7						
RNB38- 14	14	9/16"	15.0				14.0	9.7	13.3	1.8	100	
RNB38- 16	16	5/8"	17.0	28.0	24.0	52.0						
RNB38- 18	18	3/4"	21.0									
RNB38- 20	20	3/4"	21.0									



UN-SPADE TERMINALS

Product Features

Terminals material : copper
 Brazed Seam
 Plating: Tin



Product Parameters

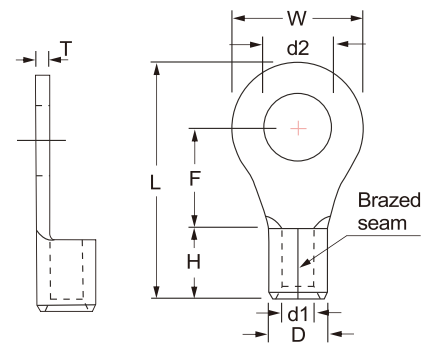
Item No.	Stud Size		Dimension Mm								Pcs/ Pack	Explanation	
	Metric	American	D2	W	F	L	d1	H	D	T			
RNB60- 6S	6	1/4"	6.5										
RNB60- 8S	8	5/16"	8.5	16.0	17.7	43.7							
RNB60- 10S	10	3/8"	10.5										
RNB60- 12S	12	1/2"	13.0	19.0	17.7	45.2							
RRB60- 5	5	#10	5.3				11.8	18.0	15.4	1.8	100		
RNB60- 6	6	1/4"	6.5										
RNB60- 8	8	5/16"	8.5	22.0	20.7	49.7							
RNB60- 10	10	3/8"	10.5										
RNB60- 12	12	1/2"	13.0										
RNB60- 14	14	9/16"	15.0										
RNB60- 16	16	5/8"	17.0										
RNB60- 18	18	11/16"	19.0	32.0	23.5	57.5	11.8	18.0	15.4	1.8	50		
RNB60- 20	20	3/4"	21.0										
RNB60- 22	22	7/8"	23.0										
RNB70- 6S	6	1/4"	6.5	17.5	20.0	47.0							
RNB70- 8S	8	5/16"	8.5					18.0					
RNB70- 10S	10	3/8"	10.5	22.0	20.0	50.0							
RNB70- 12S	12	1/2"	13.0				13.5		17.5	1.9	50		
RNB70- 6	6	1/4"	6.5										
RNB70- 8	8	5/16"	8.5	24.0	20.0	51.0		19.0					
RNB70- 10	10	3/8"	10.5										
RNB70- 12	12	1/2"	13.0										
RNB70- 14	14	9/16"	15.0										
RNB70- 16	16	5/8"	17.0										
RNB70- 18	18	11/16"	19.0	32.0	27.0	61.0	13.5	19.0	17.5	1.9	50		
RNB70- 20	20	3/4"	21.0										
RNB70- 22	22	7/8"	23.0										
RNB80- 6	6	1/4"	6.5										
RNB80- 8	8	5/16"	8.5	27.0	20.7	52.2							
RNB80- 10	10	3/8"	10.5										
RNB80- 12	12	1/2"	13.0										
RNB80- 14	14	9/16"	15.0				15.1	20.0	19.5	2.2	50		
RNB80- 16	16	5/8"	17.0										
RNB80- 18	18	11/16"	19.0	32.0	32.0	68.0							
RNB80- 20	20	3/4"	21.0										
RNB80- 22	22	7/8"	23.0										



UN-RING TERMINALS

Product Features

Terminals material : copper
 Brazed Seam
 Plating: Tin



Product Parameters

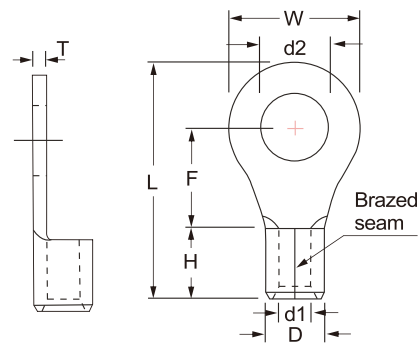
Item No.	Stud Size		Dimension Mm								Pcs/ Pack	Explanation	
	Metric	American	D2	W	F	L	H	d1	D	T			
RNB100- 6	6	1/4"	6.5										
RNB100- 8	8	5/16"	8.5										
RNB100- 10	10	3/8"	10.5	28.5	20.4	55.6							
RNB100- 12	12	1/2"	13.0										
RRB100- 14	14	9/16"	15.0				21.0	171.1	22.1	2.5	25	Wire range: 120mm ² A. W. G. : (4/0) Max.current= 300A	
RNB100- 16	16	5/8"	17.0										
RNB100- 18	18	11/16"	19.0	32.0	32.0	69.0							
RNB100- 20	20	3/4"	21.0										
RNB100- 22	22	7/8"	23.0										
RNB125- 8	8	5/16"	8.5										
RNB125- 10	10	3/8"	10.5	32.0	22.0	62.0							
RNB125- 12	12	1/2"	13.0										
RNB125- 14	14	9/16"	15.0				24.0	18.0	24.0	3.0	25	Wire range: 145mm ² A. W. G. : (4/0) Max.current= 350A	
RNB125- 16	16	5/8"	17.0	32.0	32.0	72.0							
RNB125- 20	20	3/4"	21.0										
RNB125- 22	22	7/8"	23.0										
RNB150- 8	8	5/16"	8.5										
RNB150- 10	10	3/8"	10.5										
RNB150- 12	12	1/2"	13.0	36.0	23.0	68.0							
RNB150- 14	14	9/16"	15.0										
RNB150- 16	16	5/8"	17.0				27.0	20.2	26.6	3.2	25	Wire range: 150mm ² A. W. G. : (250/300MCM) Max.current= 395A	
RNB150- 18	18	11/16"	19.0										
RNB150- 20	20	3/4"	21.0										
RNB150- 22	22	7/8"	23.0	36.0	36.0	81.0							
RNB150- 24	24	15/16"	25.0										
RNB150- 27	27	1	28.0										



UN-RING TERMINALS

Product Features

Terminals material : copper
 Brazed Seam
 Plating: Tin



Product Parameters

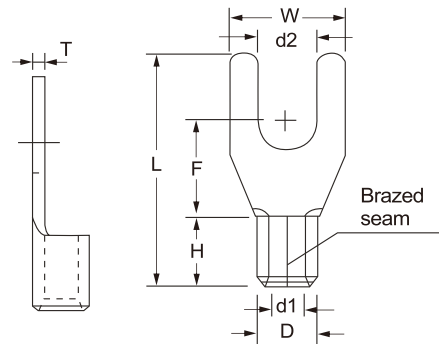
Item No.	Stud Size		Dimension Mm								Pcs/ Pack	Explanation
	Metric	American	D2	W	F	L	H	d1	D	T		
RNB180- 8	8	5/16"	8.5									Wire range: 185mm ² A. W. G. : (300/350MCM) Max. current= 440A
RNB180- 10	10	3/8"	10.5									
RNB180- 12	12	1/2"	13.0	38.5	24.5	72.3						
RNB180- 14	14	9/16"	15.0									
RRB180- 16	16	5/8"	17.0				28.5	21.6	28.6	3.5		
RNB180- 18	18	11/16"	19.0									
RNB180- 20	20	3/4"	21.0									
RNB180- 22	22	7/8"	23.0	38.5	39.0	86.7						
RNB180- 24	24	15/16"	25.0									
RNB180- 27	27	1	28.0									
RNB200- 8	8	15/16"	8.5								Wire range: 240mm ² A. W. G. : (400/500MCM) Max. current= 470A	
RNB200- 10	10	3/8"	10.5									
RNB200- 12	12	1/2"	13.0	44.0	24.5	78.0						
RNB200- 14	14	9/16"	15.0									
RNB200- 16	16	5/8"	17.0				31.5	24.8	32.6	3.9		
RNB200- 18	18	11/16"	19.0									
RNB200- 20	20	3/4"	21.0									
RNB200- 22	22	7/8"	23.0	44.0	37.5	91.0						
RNB200- 24	24	15/16"	25.0									
RNB200- 27	27	1	28.0									
RNB325- 8	8	5/16"	8.5								Wire range: 300mm ² A. W. G. : (500/600MCM) Max. current= 650A	
RNB325- 10	10	3/8"	10.5									
RNB325- 12	12	1/2"	13.0	50.5	33.5	94.3						
RNB325- 14	14	9/16"	15.0									
RNB325- 16	16	5/8"	17.0				35.5	28.7	37.1	4.2		
RNB325- 18	18	11/16"	19.0									
RNB325- 20	20	3/4"	21.0									
RNB325- 22	22	7/8"	23.0	50.5	45.0	105.7						
RNB325- 24	24	15/16"	25.0									
RNB325- 27	27	1	28.0									



UN-RORK TYPE TERMINALS

Product Features

Terminals material : copper
 Brazed Seam
 Plating: Tin



Product Parameters

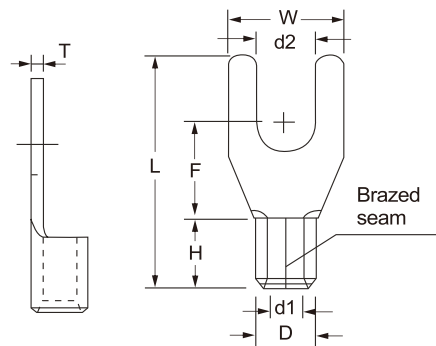
Item No.	Stud Size		Dimension Mm								Pcs/ Pack	Explanation	
	Metric	American	D2	W	F	L	H	d1	D	T			
SNB0.5- 2	2	#2	2.2	5	4.5	12.5						1000	Wire range: 1.5- 2.5mm ² A.W.G.: (16- 14) Max.current= 27A
SNB0.5- 3.2	3	#4	3.2										
SNB0.5- 3.7	3.5	#6	3.7	6			4.0	1.2	2.2	0.5			
SNB0.5- 4	4	#8	4.3	6.4	7.0	15.7							
SNB0.5- 5	5	#10	5.3	8.0								1000	Wire range: 1.5- 2.5mm ² A.W.G.: (16- 14) Max.current= 27A
SNBI.25- 3.2	3	#4	3.2	5.7									
SNBI.25- 3.5S	3.5	#6	3.7										
SNBI.25- 3.5L	3.5	#6	3.7	6.4									
SNBI.25- 3.7S	3.5	#6	3.7	5.7									
SNBI.25- 3.7L	3.5	#6	3.7	6.4									
SNBI.25- 3.7LI	3.5	#6	3.7	7.2	6.5	16.0							
SNBI.25- 4S	4	#8	4.3	6.4			4.8	1.8	3.4	0.7			
SNBI.25- 4M	4	#8	4.3	7.2									
SNBI.25- 4L	4	#8	4.3										
SNBI.25- 5S	5	#10	5.3	8.1									
SNBI.25- 5L	5	#10	5.3	9.5									
SNBI.25- 6S	6	5/16"	6.5										
SNBI.25- 6L	6	1/4"	8.5	12.0	11.0	22.0							
SNBI.25- 8	8	1/4"	6.5	12.0	11.0	22.0							
SNB2- 3.2	3	#6	3.2	5.7									
SNB2- 3.5S	3.5	#6	3.7										
SNB2- 3.5L	3.5	#6	3.7	6.0									
SNB2- 3.7S	3.5	#6	3.7	5.7									
SNB2- 3.7L	3.5	#6	3.7	6.0									
SNB2- 3.7LL	3.5	#8	3.7	7.2	6.5	16.0							
SNB2- 4S	4	#8	4.3	6.4			4.8	2.4	4.0	0.8			
SNB2- 4M	4	#8	4.3	7.2									
SNB2- 4L	4	#10	4.3	8.1									
SNB2- 5S	5	#10	5.3	9.5									
SNB2- 5L	5	1/4"	5.3										
SNB2- 6S	6	1/4"	6.5										
SNB2- 6L	6	1/4"	6.5	12.0	11.0	22.0							
SNB2- 8	8	5/16"	8.5	13.5	11.5	21.8							



UN-FORK TERMINALS

Product Features

Terminals material : copper
 Brazed Seam
 Plating: Tin



Product Parameters

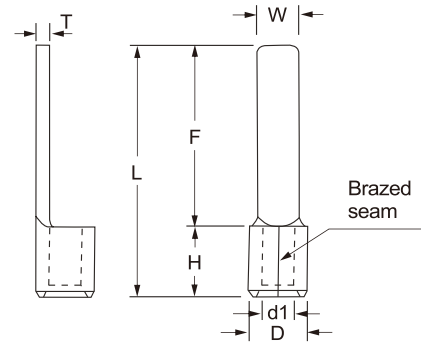
Item No.	Stud Size		Dimension Mm								Pcs/ Pack	Explanation	
	Metric	American	D2	W	F	L	H	d1	D	T			
SNB3.5- 3.7	3.5	#6	3.7										
SNB3.5- 4	4	#8	4.3	8.0	7.7	18.3							
SNB3.5- 5	5	#10	5.3										
SNB3.5- 6	6	1/4"	6.5	12.0	9.1	21.5	6.0	3.0	5.0	1.0	1000	Wire range: 2.5- 4mm ² A.W.G.:(14- 12) Max.current= 37A	
SNB3.5- 8	8	5/16"	8.5	14.0	11.5	23.7							
SNB3.5- 10	10	3/8"	10.5	17.5	12.5	26.5							
SNB5.5- 3.5	3.5	#6	3.7	8.3	7.0	18.5							
SNB5.5- 3.7S	3.5	#6	3.7	7.2	7.5	17.4							
SNB5.5- 3.7	3.5	#6	3.7	8.3	7.0	18.5							
SNB5.5- 4SS	4	#8	4.3	7.2	7.5	17.4							
SNB5.5- 4S	4	#8	4.3	8.3	7.0	18.5							
SNB5.5- 4L	4	#8	4.3				6.0	3.5	5.5	1.0	1000	Wire range: 4- 6mm ² A.W.G.:(12- 10) Max.current= 48A	
SNB5.5- 5	5	#10	5.3	9.0	7.0	18.5							
SNB5.5- 6S	6	1/4"	6.5										
SNB5.5- 6L	6	1/4"	6.5	12.0	12.0	24.7							
SNB5.5- 8	8	5/16"	8.5	14.0	11.5	23.7							
SNB5.5- 10	10	3/8"	10.5	17.5	12.5	26.5							
SNB8- 4	4	#8	4.3	9.0	7.6	20.8							
SNB8- 5	5	#10	5.3	9.0	8.1								
SNB8- 6	6	1/4"	6.5	12.0	9.2	23.8	8.5	4.8	7.2	1.2	500	Wire range: 6- 10mm ² A.W.G.:(8) Max.current= 62A	
SNB8- 8	8	5/16"	8.5	13.8	10.7	25.4							
SNB8- 10	10	3/8"	10.5	15.9									
SNB14- 4	4	#8	4.3	9.0	9.5	25.5							
SNB14- 5	5	#10	5.3										
SNB14- 6	6	1/4"	6.5	11.0	9.5	25.5	10.5	6.0	9	1.4	500	Wire range: 10- 16mm ² A.W.G.:(6) Max.current= 88A	
SNB14- 8	8	5/16"	8.5	13.8	10.7	28.5							
SNB14- 10	10	3/8"	10.5	15.9									
SNB22- 5	5	#10	5.3	11.0	9.5	27.8							
SNB22- 6	6	1/4"	6.5										
SNB22- 8	8	5/16"	8.5	16.5	13.5	33.5	12	8.1	11.5	1.8	250	Wire range: 16-25mm ² A.W.G.:(4) Max.current= 115A	
SNB22- 10	10	3/8"	10.5										



UN-INSULATED BLADE TERMINALS

Product Features

Terminals material : copper
 Brazed Seam
 Plating: Tin



Product Parameters

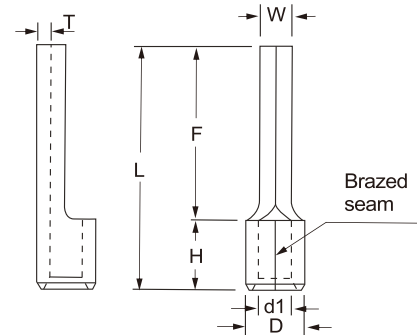
Item No.	Dimension Mm							Pcs/ Pack	Explanation
	W	F	L	H	d1	D	T		
DBN1.25- 9	2.8	9.0	13.8						Wire range:0.5- 1.5mm ² A.W.G.: (22- 16) Max.current I _{max} =19A
DBN1.25- 10	2.3	10.0	14.8						
DBN1.25- 11	3.0	11.0	15.8						
DBN1.25- 11S	2.3								
DBN1.25- 13	3.0	13.0	17.8	4.8	1.8	3.4	0.7	1000	
DBN1.25- 13S	2.3								
DBN1.25- 14	3.0	14.0	18.8						
DBN1.25- 14S	2.3								
DBN1.25- 18	2.2	18.0	22.8						
DBN1.25- 18S	2.0								
DBN2- 9	3.0	9.0	13.8						Wire range:1.5- 2.5mm ² A.W.G.: (16- 14) Max.current=27A
DBN2- 10	2.4	10.0	14.8						
DBN2- 13	2.4	13.0	17.8						
DBN2- 13L	3.0								
DBN2- 14	2.4	14.0	18.8	4.8	2.4	4.0	0.8	1000	
DBN2- 14L	3.0								
DBN2- 18S	2.0								
DBN2- 18	2.2	18.0	22.8						
DBN2- 18L	2.8								
DBN5.5- 10	2.8	10.0	16.0						Wire range:4- 6mm ² A.W.G.: (12- 10) Max.current=48A
DBN5.5- 14S	4.0	14.0	20.0						
DBN5.5- 14	4.5	14.0	20.0	6.0	3.5	5.5	1.0	1000	
DBN5.5- 18S	2.0	18.0	24.0						
DBN5.5- 18	4.5	18.0	24.0						
DBN8- 14	5	14.0	22.5	8.5	4.8	7.2	1.2	500	
DBN14- 16	6	16.0	26.5	10.5	6.0	9.0	1.4	500	
DBN22- 17	6	17.0	29.0	12.0	8.1	11.5	1.8	250	
DBN38- 16	6.5	16.0	30.0	14.0	9.7	13.3	1.8	200	

UN-PIN TERMINALS



Product Features

Terminals material : copper
 Brazed Seam
 Plating: Tin



Product Parameters

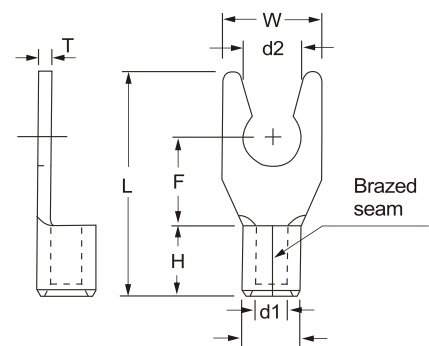
Item No.	Dimension Mm							Pcs/ Pack	Color	Explanation
	W	F	L	H	d1	D	T			
PTN1.25- 9	1.9	9.0	13.8	4.8	1.7	4.3	0.7	1000	Red	Wire range:0.5- 1.5mm ² A.W.G.:(22- 16) Max.current:I _{max} =19A
PTN1.25- 10		10.0	14.8							
PTN1.25- 12		12.0	16.8							
PTN1.25- 13		13.0	17.8							
PTN1.25- 18		18.0	21.8							
PTN2- 9	1.9	9.0	13.8	4.8	2.3	4.0	0.8	1000	Blue	Wire range:1.5- 2.5mm ² A.W.G.:(16- 14) Max.current:I _{max} =27A
PTN2- 10		10.0	14.8							
PTN2- 12		12.0	16.8							
PTN2- 13		13.0	17.8							
PTN2- 18		18.0	21.8							
PTN5.5- 13	2.8	13.0	19.0	6.0	3.4	5.5	1.0	1000	Yellow	Wire range:4- 6mm ² A.W.G.:(12- 10) Max.current:I _{max} =48A

UN-LOCKING SPADE TERMINALS



Product Features

Terminals material : copper
 Brazed Seam
 Plating: Tin



Product Parameters

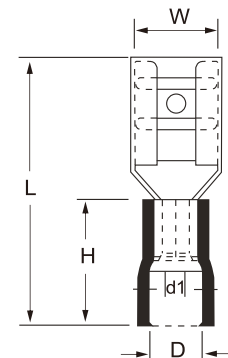
Item No.	Stud Size		Dimension Mm								Pcs/ Pack	Color	Explanation
	Metric	American	D2	W	F	L	H	d1	D	T			
LSNBI.25- 4	4	#8	4.3	7.2	6.5	16.0	4.8	1.7	3.4	0.7	1000	Red	Wire range:0.5- 1.5mm ² A.W.G.:(22- 16) Max.current=19A
LSNBI.25- 5S	5	#10	5.3	8.1									
LSNB2- 3.5	3.5	#6	3.7	6.0	6.5	16.0	4.8	2.3	4.0	0.8	1000	Blue	Wire range:1.5- 2.5mm ² A.W.G.:(16- 14) Max.current=27A
LSNB2- 4	4	#8	4.3	7.2									
LSNB2- 5	5	#10	5.3	8.1									
LSNB5.5- 4	4	#8	4.3	8.3	7.0	18.5	16.0	3.4	5.5	1.0	1000	Yellow	Wire range:4- 6mm ² A.W.G.:(12- 10) Max.current=48A
LSNB5.5- 5	5	#10	5.3	9.0									
LSNB5.5- 6	6	1/4"	6.4	12.0	12.0	24.7							



INSULATED FEMALE QUICK DISCONNECTS

Product Features

Maximum electrical rating: 300volts
 Maximum temperature: 75
 Insulation: Vinyl
 Terminal Body: Brass
 Plating: Tin



Product Parameters

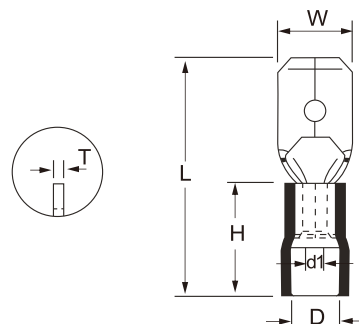
Item No.	Nema Tab	Dimension Mm						Pcs/ Pack	Color	Explanation	
		F	L	H	d1	D	T				
FDD1.25- 110(5)	0.5× 2.8	3.8	19.0	10.0	1.7	3.7	0.3	1000	Red	Wire range:0.5- 1.5mm ² A.W.G.:(22- 16) Max.current:Imax= 10A	
FDD1.25- 110(8)	0.8× 2.8						0.35				
FDD1.25- 187(5)	0.5× 4.75	5.8	0.35								
FDD1.25- 187(8)	0.8× 4.75	5.8	0.35								
FDD1.25- 205(5)	0.5× 5.2	6.5	0.4								
FDD1.25- 250	0.8× 6.35	7.5	0.4								
FDD1.25- 312	0.8× 8.0	9.1	0.4								
FDD2- 110(5)	0.5× 2.8	3.8	19.0				10.0				2.3
FDD2- 110(8)	0.8× 2.8	5.8	19.0	0.35							
FDD2- 187(5)	0.5× 4.75	5.8	19.0	0.35							
FDD2- 187(8)	0.8× 4.75	5.8	19.3	0.35							
FDD2- 205(5)	0.5× 5.2	6.5	19.0	0.4							
FDD2- 205(8)	0.8× 6.35	5.7	19.3	0.4							
FDD2- 250	0.8× 6.35	7.5	21.0	0.4							
FDD2- 312	0.8× 8.0	9.1	24.0	0.5							
FDD2- 375	1.2×9.4	10.0	26.1	0.5							
FDD5.5- 110(5)	0.5×2.8	3.2	22.0	13.0	3.4	5.6	0.4	500	Yellow	Wire range:4- 6mm ² A.W.G.:(12- 10) Max.current=24A	
FDD5.5- 110(8)	0.8×2.8	3.2	22.0								0.4
FDD5.5- 187(5)	0.5×4.75	5.0	22.0								0.4
FDD5.5- 187(8)	0.8×4.75	5.0	22.0								0.4
FDD5.5- 250	0.8× 6.35	7.5	24.0								0.4
FDD5.5- 312	0.8×8.0	8.2	27.0								0.4
FDD5.5- 375	1.2× 9.4	10.9	28.6								0.5



INSULATED MALE QUICK DISCONNECTS

Product Features

Maximum electrical rating: 300volts
 Maximum temperature: 75
 Insulation: Vinyl
 Terminal Body: Brass
 Plating: Tin



Product Parameters

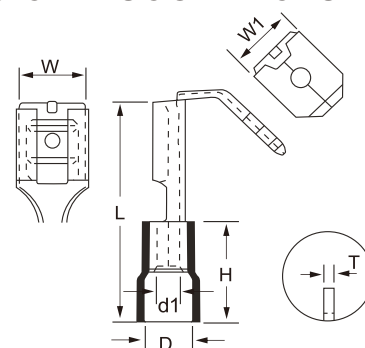
Item No.	Nema Tab	Dimension Mm						Pcs/ Pack	Color	Explanation
		F	L	H	d1	D	T			
MDD1.25- 110(5)	0.5× 2.8	2.8	19.0	10.0	1.7	3.7	1000	Red	Wire range:0.5- 1.5mm ² A.W.G.:(22- 16) Max.current:I _{max} =10A	
MDD1.25- 110(8)	0.8× 2.8									
MDD1.25- 187(5)	0.5× 4.75	4.75	19.0	10.0	2.3	4.3	1000	Blue		
MDD1.25- 187(8)	0.8× 4.75									
MDD1.25- 250	0.8× 6.35	6.35	21.0	13.0	3.4	5.6	500	Yellow		
MDD2- 110(5)	0.5× 4.75	2.8	19.0							
MDD2- 110(8)	0.8× 2.8	4.75	19.0	10.0	2.3	4.3	1000	Blue		
MDD2- 187(5)	0.5× 4.75									
MDD2- 187(8)	0.8× 4.75	6.35	21.0	13.0	3.4	5.6	500	Yellow		
MDD2- 250	0.8× 6.35									
MDD5.5- 187(8)	0.8× 4.75	4.8	23.5	13.0	3.4	5.6	500	Yellow		
MDD5.5- 250	0.8× 6.35	6.35	25.0							



INSULATED PIGGY BACK QUICK DISCONNECTS

Product Features

Maximum electrical rating: 300volts
 Maximum temperature: 75
 Insulation: Vinyl
 Terminal Body: Brass
 Plating: Tin



Product Parameters

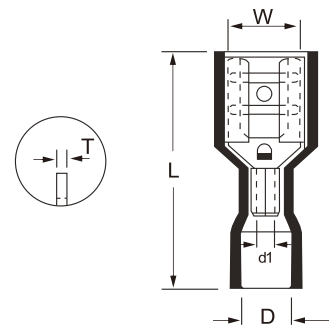
Item No.	Nema Tab	Dimension Mm							Pcs/ Pack	Color	Explanation
		W	W1	L	H	d1	D	T			
PBDD1.25- 250	0.8× 6.35	7.5	6.3	21.5	10.0	1.7	3.8	0.4	500	Red	Wire range:0.5- 1.5mm ² A.W.G.:(22- 16) Max.current:I _{max} =10A
PBMDDD2- 250	0.8× 6.35	7.5	6.3	21.5	10.0	2.3	4.3	0.4	500	Blue	Wire range:1.5- 2.5mm ² A.W.G.:(16- 14) Max.current=15A
PBMDDD5.5- 250	0.8× 6.35	7.5	6.3	24	13.0	3.4	5.6	0.4	500	Yellow	Wire range:4- 6mm ² A.W.G.:(12- 10) Max.current=24A

FULLY INSULATED FEMALE QUICK DISCONNECTS



Product Features

Maximum electrical rating: 300volts
 Maximum temperature: 75
 Insulation: Vinyl
 Terminal Body: Brass
 Plating: Tin



Product Parameters

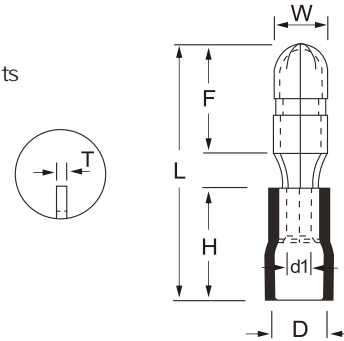
Item No.	Nema Tab	Dimension Mm					Pcs/ Pack	Color	Explanation
		F	L	d1	D	T			
FDFD1.25- 110(5)	0.5× 2.8	3.8	19.0	1.7	3.7	1000	Red	Wire range:0.5- 1.5mm ² A.W.G.:(22- 16) Max.current I _{max} =10A	
FDFD1.25- 110(8)	0.8× 2.8								
FDFD1.25- 187(5)	0.5× 4.75								
FDFD1.25- 187(8)	0.8× 4.75	7.5	21.5	2.3	4.2	1000	Blue		
FDFD1.25- 250	0.8× 6.35								
FDFD2- 110(5)	0.5× 2.8								
FDFD2- 110(8)	0.8× 2.8	5.8	20.0	3.4	5.6	500	Yellow	Wire range:1.5- 2.5mm ² A.W.G.:(16- 14) Max.current=15A	
FDFD2- 187(5)	0.5× 4.75								
FDFD2- 187(8)	0.8× 4.75								
FDFD2- 250	0.8× 6.35	7.5	25.0	3.4	5.6	500	Yellow		Wire range:4- 6mm ² A.W.G.:(12- 10) Max.current=24A
FDFD5.5- 250	0.8× 6.35								



INSULATED BULLET-MALE QUICK DISCONNECTS

Product Features

Maximum electrical rating: 300volts
 Maximum temperature: 75
 Insulation: Vinyl
 Terminal Body: Brass
 Plating: Tin



Product Parameters

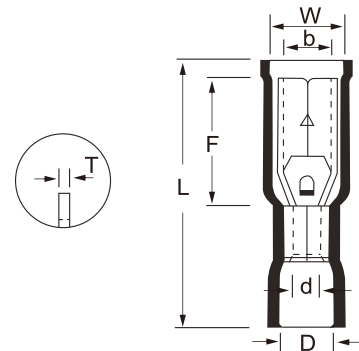
Item No.	Dimension Mm							Pcs/ Pack	Color	Explanation
	W	F	L	H	d1	D	T			
MPD1.25- 156	4.0	9.0	21.0	10.0	1.7	3.8	0.4	1000	Red	Wire range:0.5- 1.5mm ² A. W.G.:(22- 16) Max.current=10A
MPD2- 156	4.0	9.0	21.0	10.0	2.3	4.3	0.4	1000	Blue	Wire range:1.5- 2.5mm ² A. W.G.:(16- 14) Max.current=15A
MPD2- 195	5.0	9.0	21.0							
MPD5.5- 195	5.0	9.0	24.0	13.0	3.4	5.6	0.4	500	Yellow	Wire range:4- 6mm ² A. W.G.:(12- 10) Max.current=24A



INSULATED BULLET-FEMALE QUICK DISCONNECTS

Product Features

Maximum electrical rating: 300volts
 Maximum temperature: 75
 Insulation: Vinyl
 Terminal Body: Brass
 Plating: Tin



Product Parameters

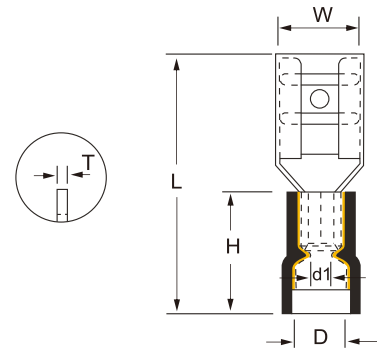
Item No.	Dimension Mm						Pcs/ Pack	Color	Explanation
	W	F	L	d1	D	T			
FRD1.25- 156	3.9	13.0	23.3	1.7	3.8	0.4	1000	Red	Wire range:0.5- 1.5mm ² A. W.G.:(22- 16) Max.current= 10A
FRD2- 156	3.9	14.0	23.3	2.3	4.3	0.4	1000	Blue	Wire range:1.5- 2.5mm ² A. W.G.:(16- 14) Max.current=15A
FRD2- 195	4.9	14.0	23.3						
FRD5.5- 195	4.9	14.0	25.0	3.4	5.6	0.4	500	Yellow	Wire range:4- 6mm ² A. W.G.:(12- 10) Max.current=24A



INSULATED FEMALE QUICK DISCONNECTS

Product Features

Maximum electrical rating: 300volts
 Maximum temperature: 75
 Insulation: Vinyl
 Terminal Body: Brass
 Plating: Tin



Product Parameters

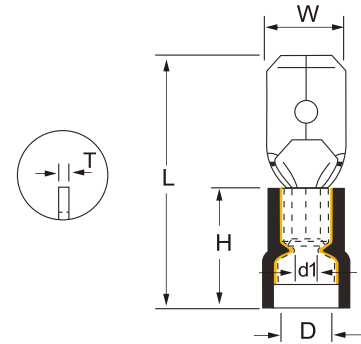
Item No.	Nema Tab	Dimension Mm						Pcs/ Pack	Color	Explanation
		W	L	H	d1	D	T			
FDD1.25- 110(5)D	0.5× 2.8	3.8	19.0	10.0	1.7	3.8	0.3	1000	Red	Wire range:0.5- 1.5mm ² A.W.G.:(22- 16) Max.current:I _{max} =10A
FDD1.25- 110(8)D	0.8× 2.8									
FDD1.25- 187(5)D	0.5× 4.75									
FDD1.25- 187(8)D	0.8× 4.75									
FDD1.25- 205D	0.5× 5.2									
FDD1.25- 250D	0.8× 6.35									
FDD1.25- 312D	0.8× 8.0									
FDD2- 110(5)D	0.5× 2.8	3.8	19.0							
FDD2- 110(8)D	0.8× 2.8									
FDD2- 187(5)D	0.5× 4.75									
FDD2- 187(8)D	0.8× 4.75									
FDD2- 205(8)D	0.8× 6.35									
FDD2- 250D	0.8× 6.35									
FDD2- 312D	0.8× 8.0									
FDD2- 375D	1.2×9.4									
FDD5.5- 110(5)D	0.5×2.8	3.2	22.0	13.0	3.4	5.6	0.4	500	Yellow	Wire range:4- 6mm ² A.W.G.:(12- 10) Max.current=24A
FDD5.52- 110(8)D	0.8×2.8									
FDD5.5- 187(5)D	0.5×4.75									
FDD5.5- 187(8)D	0.8×4.75									
FDD5.5- 250D	0.8× 6.35									
FDD5.5- 312D	0.8×8.0									
FDD5.5- 375D	1.2× 9.4									



INSULATED MALE QUICK DISCONNECTS

Product Features

- Maximum electrical rating: 300volts
- Maximum temperature: 75
- Insulation: Vinyl
- Terminal Body: Brass
- Metallic Sleeve: Copper
- Plating: Tin



Product Parameters

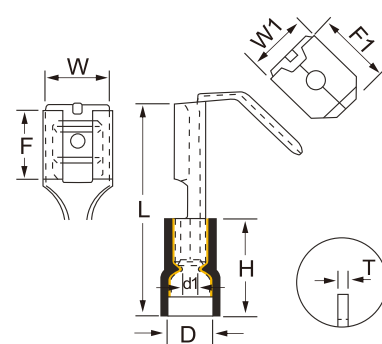
Item No.	Nema Tab	Dimension Mm						Pcs/ Pack	Color	Explanation
		F	L	H	d1	D	T			
MDD1.25- 110(5)D	0.5× 2.8	2.8	19.0	10.0	1.7	3.8	0.5	1000	Red	Wire range:0.5- 1.5mm ² A.W.G.:(22- 16) Max.current=10A
MDD1.25- 110(8)D	0.8× 2.8									
MDD1.25- 187(5)D	0.5× 4.75	4.75	19.0	10.0	1.7	3.8	0.5	1000	Red	
MDD1.25- 187(8)D	0.8× 4.75									
MDD1.25- 250D	0.8× 6.35	6.35	21.0	10.0	2.3	4.7	0.5	1000	Blue	Wire range:1.5- 2.5mm ² A.W.G.:(16- 14) Max.current=15A
MDD2- 187(5)D	0.5× 4.75	4.75	19.0							
MDD2- 187(8)D	0.8× 4.75			6.35	21.0	13.0	3.4	6.2	0.4	
MDD2- 250D	0.8× 6.35									
MDD5.5- 187(8)D	0.8× 4.75	4.8	22.0	13.0	3.4	6.2	0.4	500	Yellow	Wire range:4- 6mm ² A.W.G.:(12- 10) Max.current=24A
MDD5.5- 250	0.8× 6.35	6.35	25.0							



INSULATED PIGGY BACK QUICK DISCONNECTS

Product Features

- Maximum electrical rating: 300volts
- Maximum temperature: 75
- Insulation: Vinyl
- Terminal Body: Brass
- Metallic Sleeve: Copper
- Plating: Tin



Product Parameters

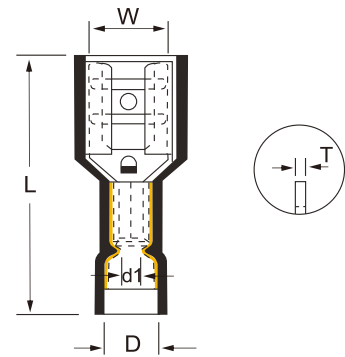
Item No.	Nema Tab	Dimension Mm							Pcs/ Pack	Color	Explanation
		W	W1	L	H	d1	D	T			
PBDD1.25- 250D	0.8× 6.35	7.5	6.3	21.5	10.0	1.7	3.8	0.4	500	Red	Wire range:0.5- 1.5mm ² A.W.G.:(22- 16) Max.current=10A
PBDD2- 250D	0.8× 6.35	7.5	6.3	21.5	10.0	2.3	4.7	0.4	500	Blue	Wire range:1.5- 2.5mm ² A.W.G.:(16- 14) Max.current=15A
PBDD5.5- 250D	0.8× 6.35	7.5	6.3	24.0	13.0	3.4	6.2	0.4	500	Yellow	Wire range:4- 6mm ² A.W.G.:(12- 10) Max.current=24A



FULLY INSULATED FEMALE QUICK DISCONNECTS

Product Features

Maximum electrical rating: 300volts
 Maximum temperature: 75
 Insulation: Vinyl
 Terminal Body: Brass
 Metallic Sleeve: Copper
 Plating: Tin



Product Parameters

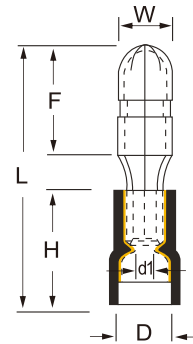
Item No.	Nema Tab	Dimension Mm					Pcs/ Pack	Color	Explanation
		F	L	d1	D	T			
FDFD1.25- 110(5)D	0.5× 2.8	3.8	19.0	1.7	3.8	0.3	1000	Red	Wire range:0.5- 1.5mm ² A.W.G.:(22- 16) Max.current:I _{max} =10A
FDFD1.25- 110(8)D	0.8× 2.8		20.0			0.35			
FDFD1.25- 1 87(5)D	0.5× 4.75		21.5			0.4			
FDFD1.25- 1 87(8)D	0.8× 4.75	7.4	21.5	2.3	4.7	0.3	1000	Blue	Wire range:1.5- 2.5mm ² A.W.G.:(16- 14) Max.current:I _{max} =15A
FDFD2- 110(5)D	0.5× 2.8	19.0	0.35						
FDFD2- 110(8)D	0.8× 2.8	20.0	0.4						
FDFD2- 187(5)D	0.5× 4.75	7.4	21.5	3.4	6.2	0.3	500	Yellow	Wire range:4- 6mm ² A.W.G.:(12- 10) Max.current:I _{max} =24A
FDFD2- 187(8)D	0.8× 4.75	25.0	0.4						
FDFD2- 250D	0.8× 6.35	25.0	0.4						



INSULATED BULLET-MALE QUICK DISCONNECTS

Product Features

Maximum electrical rating: 300volts
 Maximum temperature: 75
 Insulation: Vinyl
 Terminal Body: Brass
 Metallic Sleeve: Copper
 Plating: Tin



Product Parameters

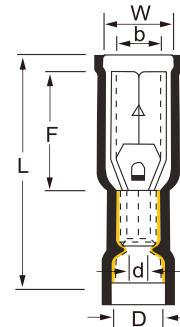
Item No.	Dimension Mm							Pcs/ Pack	Color	Explanation
	W	F	L	H	d1	D	T			
MPD1.25- 156D	4.0	9.0	21.0	10.0	1.7	3.8	0.4	1000	Red	Wire range:0.5- 1.5mm ² A. W.G.:(22- 16) Max.current=10A
MPD2- 156D	4.0	9.0	21.0	10.0	2.3	4.7	0.4	1000	Blue	Wire range:1.5- 2.5mm ² A. W.G.:(16- 14) Max.current=15A
MPD2- 195D	5.0	9.0	24.0							
MPD5.5- 195D	5.0	9.0	24.0	13.0	3.4	6.2	0.4	500	Yellow	Wire range:4- 6mm ² A. W.G.:(12- 10) Max.current=24A



INSULATED BULLET-FEMALE QUICK DISCONNECTS

Product Features

Maximum electrical rating: 300volts
 Maximum temperature: 75
 Insulation: Vinyl
 Terminal Body: Brass
 Metallic Sleeve: Copper
 Plating: Tin



Product Parameters

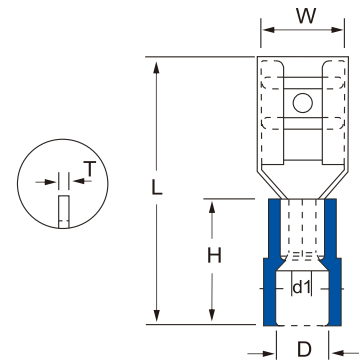
Item No.	Dimension Mm						Pcs/ Pack	Color	Explanation
	W	F	L	d1	D	T			
FRD1.25- 156D	3.9	13.0	23.3	1.7	3.8	0.4	1000	Red	Wire range:0.5- 1.5mm ² A. W.G.:(22- 16) Max.current=10A
FRD2- 156D	3.9	14.0	23.3	2.3	4.7	0.4	1000	Blue	Wire range:1.5- 2.5mm ² A. W.G.:(16- 14) Max.current=15A
FRD2- 195D	3.9	14.0	23.3						
FRD5.5- 195D	4.9	14.0	25.0	3.4	6.2	0.45	500	Yellow	Wire range:4- 6mm ² A. W.G.:(12- 10) Max.current=24A



NYLON-INSULATED FEMALE QUICK DISCONNECTS

Product Features

- Maximum electrical rating: 300volts
- Maximum temperature: 105
- Insulation: Vinyl
- Terminal Body: Brass
- Plating: Tin



Product Parameters

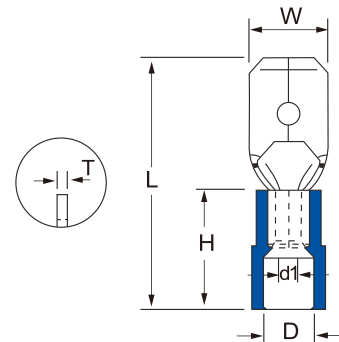
Item No.	Nema Tab	Dimension Mm						Pcs/ Pack	Color	Explanation			
		W	L	H	d1	D	T						
FDDY1.25- 110(5)	0.5× 2.8	3.8	20.0	11.0	1.7	3.8	0.3	1000	Red	Wire range:0.5- 1.5mm ² A.W.G.: (22- 16) Max.current=10A			
FDDY1.25- 110(8)	0.8× 2.8	3.8					0.35						
FDDY1.25- 187(5)	0.5× 4.75	5.8	20.0				0.35						
FDDY1.25- 187(8)	0.8× 4.75	5.8									0.4		
FDDY1.25- 205(5)	0.5× 5.2	6.5	22.0				0.4						
FDDY1.25- 250	0.8× 6.35	7.5									0.3		
FDDY1.25- 312	0.8× 8.0	9.1	25.0				0.35				1000	Blue	Wire range:1.5- 2.5mm ² A.W.G.: (16- 14) Max.current=15A
FDDY2- 110(5)	0.5× 2.8	3.8											
FDDY2- 110(8)	0.8× 2.8	3.8	11.0	1.7	4.3	0.35							
FDDY2- 187(5)	0.5× 4.75	5.6					20.0	0.4					
FDDY2- 187(8)	0.8× 4.75	5.6	20.0	0.4									
FDDY2- 205(5)	0.5× 5.2	6.5			20.0	0.4	500	Yellow	Wire range:4- 6mm ² A.W.G.: (12- 10) Max.current= 24A				
FDDY2- 205(8)	0.8× 5.2	6.5	13.0	3.4						6.2			
FDDY2- 250	0.8× 6.35	7.5			22.0	0.5							
FDDY2- 312	0.8× 8.0	9.1	25.0	0.5									
FDDY5.5- 187	0.8× 4.75	5.6			20.0	0.4	500	Yellow	Wire range:4- 6mm ² A.W.G.: (12- 10) Max.current= 24A				
FDDY5.5- 250	0.8× 6.35	7.5	24.0	0.5									
FDDY5.5- 312	0.8× 8.0	9.1			26.5	0.5							
FDDY5.5- 375	1.2× 9.4	10.9	28.6	0.5									

NYLON-INSULATED MALE QUICK DISCONNECTS



Product Features

Maximum electrical rating: 300volts
 Maximum temperature: 105
 Insulation: Vinyl
 Terminal Body: Brass
 Plating: Tin



Product Parameters

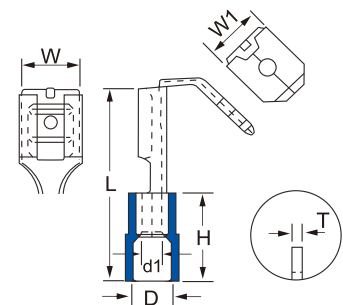
Item No.	Nema Tab	Dimension Mm						Pcs/ Pack	Color	Explanation	
		W	L	H	d1	D	T				
MDNY1.25- 110(5)	0.5× 2.8	2.8	20.0	11.0	1.7	3.8	0.5	1000	Red	Wire range:0.5- 1.5mm ² A.W.G.:(22- 16) Max.current:I _{max} =10A	
MDNY1.25- 110(8)	0.8× 2.8						0.4				
MDNY1.25- 187(5)	0.5× 4.75	4.75	20.0	11.0	1.7	3.8	0.5				
MDNY1.25- 187(8)	0.8× 4.75						0.4				
MDNY1.25- 250	0.8× 6.35	6.35	22.0	11.0	2.3	4.3	0.5	1000	Blue	Wire range:1.5- 2.5mm ² A.W.G.:(16- 14) Max.current:I _{max} =15A	
MDNY2- 187(5)	0.5× 4.75	4.75	20.0				11.0				2.3
MDNY2- 187(8)	0.8× 4.75			6.35	22.0	13.0		3.4	6.2		
MDNY2- 250	0.8× 6.35	6.35	25.0				13.0				3.4
MDNY5.5- 250	0.8× 6.35			6.35	25.0	13.0		3.4	6.2	0.4	

NYLON-INSULATED PIGGY BACK QUICK DISCONNECTS



Product Features

Maximum electrical rating: 300volts
 Maximum temperature: 105
 Insulation: Vinyl
 Terminal Body: Brass
 Plating: Tin



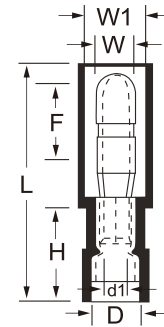
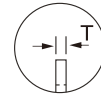
Product Parameters

Item No.	Nema Tab	Dimension Mm							Pcs/ Pack	Color	Explanation
		W	W1	L	H	d1	D	T			
PBDNY1.25- 250	0.8× 6.35	7.5	6.3	22.5	11.0	1.7	4.0	0.4	500	Red	Wire range:0.5- 1.5mm ² A.W.G.:(22- 16) Max.current=10A
PBDNY2- 250	0.8× 6.35	7.5	6.3	22.5	11.0	2.3	4.8	0.4	500	Blue	Wire range:1.5- 2.5mm ² A.W.G.:(16- 14) Max.current=15A
PBDNY5.5- 250	0.8× 6.35	7.5	6.3	24.0	13.0	3.4	6.5	0.4	500	Yellow	Wire range:4- 6mm ² A.W.G.:(12- 10) Max.current=24A



NYLON-INSULATED BULLET-FEMAL QUICK DISCONNECTS
Product Features

Maximum electrical rating: 300volts
 Maximum temperature: 105
 Insulation: Nylon
 Terminal Body: Brass
 Plating: Tin



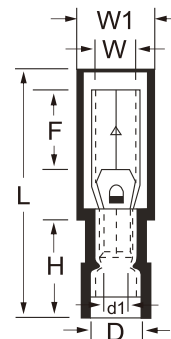
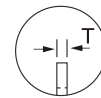
Product Parameters

Item No.	Dimension Mm								Pcs/ Pack	Color	Explanation
	W	W1	F	L	H	d1	D	T			
MPFNY1.25- 156	4.0	7.4	9.0	27.0	10.0	1.7	4.0	0.4	500	Red	Wire range:0.5- 1.5mm ² A.W.G.: (22- 16) Max.current=10A
MPFNY2- 156	4.0	8.6	9.0	27.0	10.0	2.3	5.0	0.4	500	Blue	Wire range:1.5- 2.5mm ² A.W.G.: (16- 14) Max.current=15A



NYLON-INSULATED BULLET-FEMAL QUICK DISCONNECTS
Product Features

Maximum electrical rating: 300volts
 Maximum temperature: 105
 Insulation: Nylon
 Terminal Body: Brass
 Plating: Tin



Product Parameters

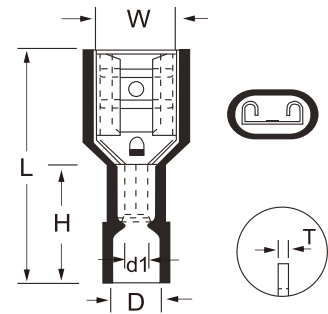
Item No.	Dimension Mm								Pcs/ Pack	Color	Explanation
	W	W1	F	L	H	d1	D	T			
FRFNY1.25- 156	3.9	6.9	9.0	25.2	11.0	1.7	4.0	0.4	500	Red	Wire range:0.5- 1.5mm ² A.W.G.: (22- 16) Max.current=10A
FRFNY2- 156	3.9	7.9	9.0	25.2	11.0	2.3	5.0	0.4	500	Blue	Wire range:1.5- 2.5mm ² A.W.G.: (16- 14) Max.current=15A

NYLON-FULLY INSULATED FEMAL QUICK DISCONNECTS



Product Features

Maximum electrical rating: 300volts
 Maximum temperature: 105
 Insulation: Nylon
 Terminal Body: Brass
 Plating: Tin



Product Parameters

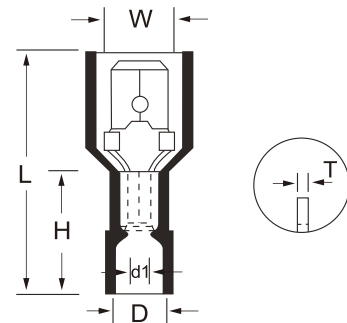
Item No.	Nema Tab	Dimension Mm						Pcs/ Pack	Color	Explanation
		W	L	H	d1	D	T			
FDFN1.25- 187(5)	0.5× 4.75	5.8	20.2	11.0	1.7	4.0	0.35	500	Red	Wire range:0.5- 1.5mm ²
FDFN1.25- 187(8)	0.8× 4.75									A.W.G.:(22- 16)
FDFN1.25- 250	0.8× 6.35	7.5	22.0	11.0	1.7	4.0	0.4	500	Blue	Max.current:I _{max} =10A
FDFN2- 187(5)	0.5× 4.75	5.8	20.2	11.0	2.3	4.5	0.35			Wire range:1.5- 2.5mm ²
FDFN2- 187(8)	0.8× 4.75							A.W.G.:(16- 14)		
FDFN2- 250	0.8× 6.35	7.5	22.0	11.0	2.3	4.5	0.4	500	Yellow	Max.current:I _{max} =15A
FDFN5.5- 250	0.8× 6.35	7.5	24.0	13.0	3.4	6.3	0.4			Wire range:4- 6mm ²
										A.W.G.:(12- 10)
										Max.current:I _{max} =24A

NYLON-FULLY INSULATED MALE QUICK DISCONNECTS



Product Features

Maximum electrical rating: 300volts
 Maximum temperature: 105
 Insulation: Nylon
 Terminal Body: Brass
 Plating: Tin



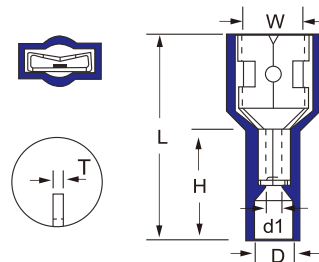
Product Parameters

Item No.	Nema Tab	Dimension Mm						Pcs/ Pack	Color	Explanation
		W	L	H	d1	D	T			
MDFN1.25- 250	0.8× 6.35	6.35	24.0	11.0	1.7	4.0	0.8	500	Red	Wire range:0.5- 1.5mm ²
										A.W.G.:(22- 16)
										Max.current:I _{max} =10A
MDFN2- 250	0.8× 6.35	6.35	24.0	11.0	2.3	4.5	0.8	500	Blue	Wire range:1.5- 2.5mm ²
										A.W.G.:(16- 14)
										Max.current:I _{max} =15A
MDFN5.5- 250	0.8× 6.35	6.35	25.0	13.0	3.4	6.3	0.4	500	Yellow	Wire range:4- 6mm ²
										A.W.G.:(12- 10)
										Max.current:I _{max} =24A

NYLON-FULLY INSULATED FEMALE QUICK DISCONNECTS
Product Features



Maximum electrical rating: 300volts
 Maximum temperature: 105
 Insulation: Nylon
 Terminal Body: Brass
 Plating: Tin



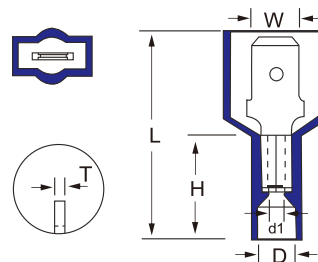
Product Parameters

Item No.	Nema Tab	Dimension Mm						Pcs/ Pack	Color	Explanation
		W	L	H	d1	D	T			
FDFFNY1.25- 250	0.8× 6.35	6.6	22.0	11.0	1.7	4.0	0.4	500	Red	Wire range:0.5- 1.5mm ² A.W.G.:(22- 16) Max.current:I _{max} =10A
FDFFNY2- 250	0.8× 6.35	6.6	22.0	11.0	2.3	4.5	0.4	500	Blue	Wire range:1.5- 2.5mm ² A.W.G.:(16- 14) Max.current:I _{max} =15A
FDFFNY5.5- 250	0.8× 6.35	6.6	24.5	12.0	3.4	5.5	0.4	500	Yellow	Wire range:4- 6mm ² A.W.G.:(12- 10) Max.current:I _{max} =24A

NYLON-FULLY INSULATED MALE QUICK DISCONNECTS
Product Features



Maximum electrical rating: 300volts
 Maximum temperature: 105
 Insulation: Nylon
 Terminal Body: Brass
 Plating: Tin



Product Parameters

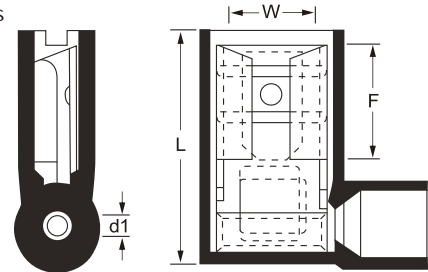
Item No.	Nema Tab	Dimension Mm						Pcs/ Pack	Color	Explanation
		W	L	H	d1	D	T			
MDFNY1.25- 250	0.8× 6.35	6.35	24.5	11.0	1.7	4.0	0.8	500	Red	Wire range:0.5- 1.5mm ² A.W.G.:(22- 16) Max.current:I _{max} =10A
MDFNY2- 250	0.8× 6.35	6.35	24.5	11.0	2.3	4.5	0.8	500	Blue	Wire range:1.5- 2.5mm ² A.W.G.:(16- 14) Max.current:I _{max} =15A
MDFNY5.5- 250	0.8× 6.35	6.35	26.0	13.0	3.4	5.5	0.8	500	Yellow	Wire range:4- 6mm ² A.W.G.:(12- 10) Max.current:I _{max} =24A



NYLON-INSULATED FLANGE FEMALE QUICK DISCONNECTS

Product Features

Maximum electrical rating: 300volts
 Maximum temperature: 105
 Insulation: Nylon
 Terminal Body: Brass
 Plating: Tin



Product Parameters

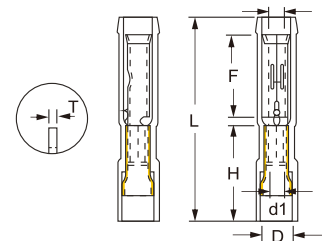
Item No.	Nema Tab	Dimension Mm					Pcs/Pack	Color	Explanation
		W	F	L	d1	T			
FLDNY1.25- 250	0.8× 6.35	7.5	8.4	16.0	1.7	0.5	500	Red	Wire range:0.5- 1.5mm ² A.W.G.:(22- 16) Max.current:I _{max} =10A
FLDNY2- 250	0.8× 6.35	7.5	8.4	16.0	2.3	0.5	500	Blue	Wire range:1.5- 2.5mm ² A.W.G.:(16- 14) Max.current:I _{max} =15A
FLDNY5.5- 250	0.8× 6.35	7.5	7.3	18.0	3.4	0.4	500	Yellow	Wire range:4- 6mm ² A.W.G.:(12- 10) Max.current:I _{max} =24A



NYLON-INSULATED BULLET FEMALE QUICK DISCONNECTS

Product Features

Maximum electrical rating: 300volts
 Maximum temperature: 105
 Insulation: Nylon
 Terminal Body: Brass
 Metallic Sleeve: Copper
 Plating: Tin



Product Parameters

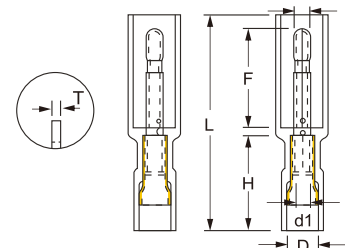
Item No.	Dimension Mm							Pcs/Pack	Color	Explanation
	W	F	L	H	d1	D	T			
FRFNYD0.5- 078	2.05	10.0	24.8	11.0	1.6	3.5	0.3	500	White	Wire range:0.5- 0.75mm ² Max.current:I _{max} =10A



NYLON-INSULATED BULLET MALE QUICK DISCONNECTS

Product Features

Maximum electrical rating: 300volts
 Maximum temperature: 105
 Insulation: Nylon
 Terminal Body: Brass
 Metallic Sleeve: Copper
 Plating: Tin



Product Parameters

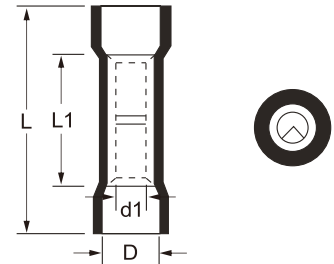
Item No.	Dimension Mm							Pcs/Pack	Color	Explanation
	W	F	L	H	d1	D	T			
FRFNYD0.5- 078	2.0	12.0	27.0	11.0	1.6	3.5	0.3	500	White	Wire range:0.5- 0.75mm ² Max.current:I _{max} =10A



INSULATED BUTT SPLICE CONNECTORS

Product Features

Maximum electrical rating: 600volts
 Maximum temperature: 75
 Insulation: Vinyl
 Terminal Body: Brass
 Plating: Tin



Product Parameters

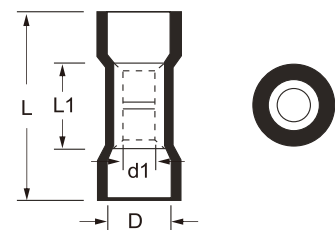
Item No.	Dimension Mm				Imax	Wire range		Pcs/ Pack	Color	Explanation
	L	L1	D	d1		A.W.G	mm ²			
BV 1.25	24.6	15.0	4.2	2.15	19A	22- 16	0.5- 1.5	500	Red	Wire range:0.5- 1.5mm ² A.W.G.:(22- 16)
BV2	24.6	15.0	4.7	2.75	27A	16- 14	1.5- 2.5	500	Blue	Wire range:0.5- 1.5mm ² A.W.G.:(16- 14)
BV 5.5	26.0	15.0	6.3	4.25	48A	10- 12	4- 6	500	Yellow	Wire range:4- 6mm ² A.W.G.:(12- 10)
BV 8	35.0	21.0	8.5	5.0	62A	8(8)	6- 10	200	Red	Wire range:8mm ² A.W.G.:(8)
BV 14	45.0	26.0	10.5	6.6	88A	14(6)	10- 16	50	Blue	Wire range:22mm ² A.W.G.:(6)
BV 22	52.0	29.0	12.5	8.0	115A	22(4)	16- 25	50	Yellow	Wire range:22mm ² A.W.G.:(4)
BV 38	55.0	32.0	15.5	10.0	160A	38(2)	25- 35	50	Red	Wire range:38mm ² A.W.G.:(2)



INSULATED PARALLEL SPLICE CONNECTORS

Product Features

Maximum electrical rating: 600volts
 Maximum temperature: 75
 Insulation: Vinyl
 Terminal Body: Brass
 Plating: Tin



Product Parameters

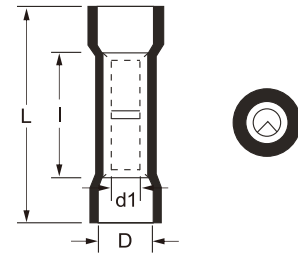
Item No.	Dimension Mm				Imax	Wire range		Pcs/ Pack	Color	Explanation
	L	L1	D	d1		A.W.G	mm ²			
PVT 1.25	16.0	8.0	4.3	2.3	19A	22- 16	0.5- 1.5	1000	Red	Wire range:0.5- 1.5mm ² A.W.G.:(22- 16)
PVT2	16.0	8.0	5.0	2.95	27A	16- 14	1.5- 2.5	1000	Blue	Wire range:0.5- 1.5mm ² A.W.G.:(16- 14)
PVT5.5	20.5	8.5	6.3	4.45	48A	10- 12	4- 6	500	Yellow	Wire range:0.5- 1.5mm ² A.W.G.:(12- 10)



NYLON-INSULATED BUTT SPLICE CONNECTORS

Product Features

Maximum electrical rating: 600volts
 Maximum temperature: 105
 Insulation: Nylon
 Terminal Body: Copper
 Plating: Tin



Product Parameters

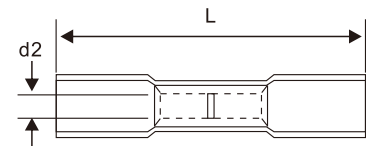
Item No.	Dimension Mm				Imax	Wire range		Pcs/ Pack	Color	Explanation
	D	d1	L1	L1		A. W.G	mm ²			
BNYF1.25	25.2	4.0	2.15	15.0	19A	22- 16	0.5- 1.5	500	Red	Wire range:0.5- 1.5mm ² A.W.G.:(22- 16)
BNYF2	25.2	4.5	2.75	15.0	27A	16- 14	1.5- 2.5	500	Blue	Wire range:0.5- 1.5mm ² A.W.G.:(16- 14)
BNYF5.5	28.0	6.3	4.25	15.0	48A	12- 10	4- 6	500	Yellow	Wire range:0.5- 1.5mm ² A.W.G.:(12- 10)



NYLON-INSULATED BUTT SPLICE CONNECTORS

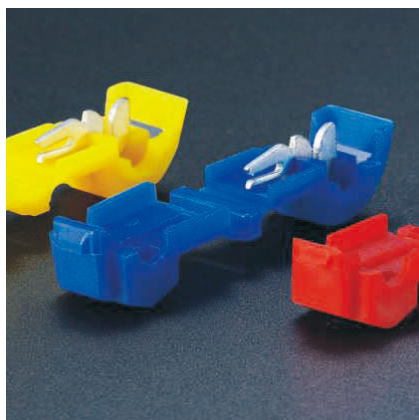
Product Features

Maximum electrical rating: 600volts
 Maximum temperature: 105
 Insulation: Nylon
 Terminal Body: Copper
 Plating: Tin



Product Parameters

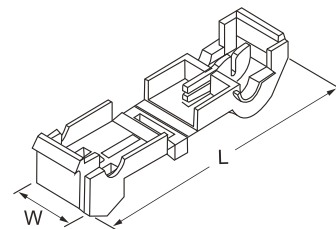
Item No.	Dimension Mm		Imax	Wire range		Pcs/ Pack	Color	Explanation
	d2	L		A. W.G	mm ²			
PVT 1.25	1.7	36.0	19A	22- 16	0.5- 1.5	500	Red	Wire range:0.5- 1.5mm ² A.W.G.:(22- 16)
PVT2	2.3	36.0	27A	16- 14	1.5- 2.5	500	Blue	Wire range:1.5- 2.5mm ² A.W.G.:(16- 14)
PVT5.5	3.4	41.0	48A	10- 12	4- 6	500	Yellow	Wire range:4- 6mm ² A.W.G.:(12- 10)



QUICK SPLICE CONNECTORS

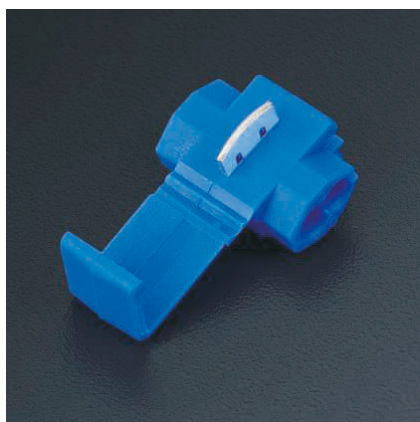
Product Features

Maximum electrical rating: 600volts
 Maximum temperature: 105
 Insulation: Nylon
 Terminal Body: Copper



Product Parameters

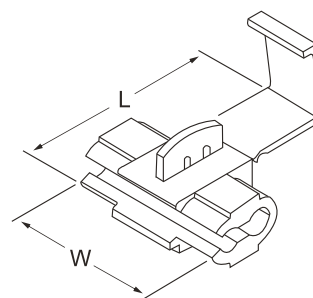
Item No.	Wire range awg/mm ²	Suggested Mate With Male Tab (thickness X Width)	Dimension Mm		Pcs/ Pack	Color	Explanation
			W	L			
878006	22- 18AMG 0.5- 0.75mm ²	MDFNY1- 250 (.032x .250)	0.386 9.8	1.457 37	500	Red	
878106	18- 14AWG 0.75- 2.5mm ²	MDFNY2- 250 (.032x .250)	0.386 9.8	1.457 37	500	Blue	
878203	12- 10AWG 4mm ²	MDFNY5- 250 (.032x .250)	0.386 9.8	1.457 37	500	Yellow	



QUICK SPLICE CONNECTORS

Product Features

Maximum electrical rating: 600volts
 Maximum temperature: 105
 Insulation: P.P.
 Terminal Body: Brass
 Plating: Tin



Product Parameters

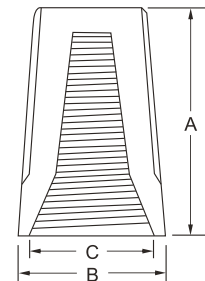
Item No.	Wire range awg/mm ²	Dimension Mm		Pcs/ Pack	Color	Explanation
		W	L			
878100	22- 18AMG 0.5- 0.75mm ²	0.787 20	1.063 27	200	Red	Wire range:0.5- 0.75mm ² A.W.G.:(22- 18)
878101	18- 14AWG 0.75- 2.5mm ²	0.787 20	1.063 27	200	Blue	Wire range:0.75- 2.5mm ² A.W.G.:(18- 14)
878101- WHITE		0.787 20	1.063 27	200	Whith	Wire range:0.75- 2.5mm ² A.W.G.:(18- 14)
878201	12- 10AWG 4- 6mm ²	.807 20.5	1.358 34.5	200	Yellow	Wire range:4- 6mm ² A.W.G.:(12- 10)



SCREW ON WIRE CONNECTORS

Product Features

Voltage: 300V, 600V
 Temperature: 105
 Material: PVC plastic rubber material
 International Certification: UL, CSA
 Security Certification
 Function: Suitable for electrical products, light utensils, which needs high temperature testing (105), with high insulation performance.



Product Parameters

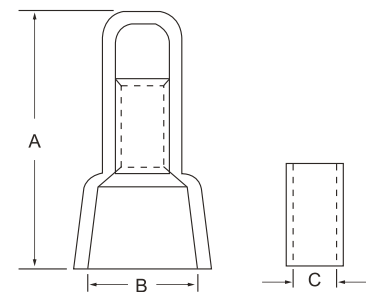
Item No.	A mm	B mm	C mm	Suitable wires A.W.G	Color	Pcs/Pack
P1	15.2	8.6	6.7	22- 14	Gray	1000
P2	17.6	9.8	7.4	22- 14	Blue	1000
P3	22.0	12	9.9	22- 14	Orange	500
P4	24.5	14	11	22- 10	Yellow	500
P6	26.5	16.4	13	22- 8	Red	500



CLOSED END WIRE CONNECTORS

Product Features

Maximum electrical rating: 600volts
 Maximum temperature: 105
 Insulation: Nylon
 Terminal Body: Copper
 Plating: Tin



Product Parameters

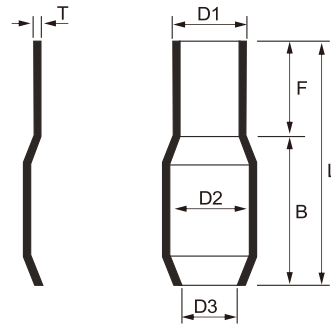
Item No.	A mm	B mm	C mm	Wire range		Suitable wires A.W.G	Pcs/Pack
				mm ²	A.W.G		
CE- 1	18	6.2	2.6	1.25	22- 18	AK - 25	1000
CE- 2	19.7	7.9	3	2	22- 14	MR - 30A IZUM1#7A	1000
CE- 5	25.5	10.5	4	5.5	22- 10	IZUM1 AC - 5ND	500
CE- 8	27.7	12.4	5.3	8	16- 10	AK - 28	200



TERMINAL SLEEVE FOR TERMINALS & TUBULAR LUGS

Product Features

Material: VINYL



Product Parameters

Item No.	Dimension Mm							Pcs/ Pack	Color	Explanation
	D1	D2	D3	L	F	B	T			
V1.25	2.8	3.3	3.1	13.0	6.0	7.0	0.6	1000		
V2	3.3	4.5	3.7	14.0	7.0	7.0	0.7	1000		
V 3.5	4.2	5.7	4.1	17.0	9.0	8.0	0.8	1000		
V 5.5	4.8	5.7	5.2	17.0	9.0	8.0	0.8	500		
V8	6.2	7.2	6.2	19.0	10.0	9.0	1.0	500		
V14	7.5	10.0	8.0	25.0	14.0	11.0	1.1	200		
V22	10.5	12.0	9.5	30.0	15.0	15.0	1.2	200		
V38	12.5	14.0	11.8	34.0	17.5	16.5	1.5	100	Gray	Material: PVC
V60	15.0	16.8	13.5	39.0	20.0	19.0	1.5	100	Green	
V70	16.0	17.5	14.5	43.0	22.0	20.0	1.5	50	Black	
V80	17.0	19.0	16.0	47.0	25.0	22.0	1.5	50	Yellow	
V100	19.0	22.0	18.0	54.0	30.0	24.0	1.6	50	Blue	
V125	21.0	24.0	20.0	57.0	32.0	25.0	1.7	50	Red	
V150	23.0	24.5	22.0	65.0	35.0	30.0	1.8	25		
V 200	27.0	32.0	24.0	65.0	35.0	30.0	2.0	20		
V 240	29.0	38.0	26.5	77.0	35.0	39.0	2.0	20		
V 325	29.0	38.0	29.0	77.0	37.0	40.0	2.5	20		
V400	42.0	45.0	36.0	85.0	46.0	41.0	2.5	10		
V 500	46.0	48.0	40.0	88.0	46.0	42.0	2.5	10		
V630	52.0	50.0	44.0	92.0	50.0	47.0	2.5	10		